



STAINLESS STEEL **EVM** VERTICAL MULTISTAGE PUMP



50HZ

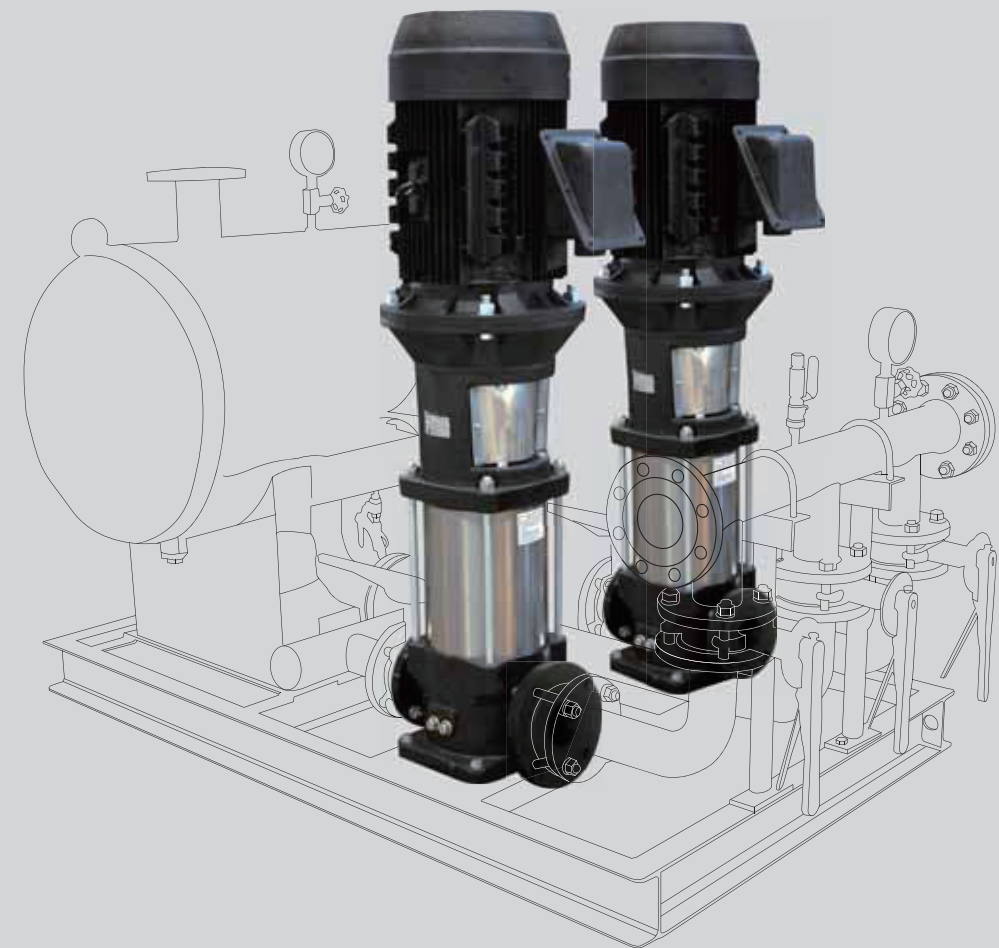


EBARA MACHINERY (CHINA) CO., LTD.

Contact address: Standard Pump Factory
NO.66,Futao Road,Fushan New&Hi-Tech Industry Zone,Yantai,PRC
TEL: +86-535-6988830
FAX: +86-535-6988877

Head Office:

Room303,TowerA, Fortune Plaza
No.7,Dongsanhuan Zhong Road,Chaoyang District,Peking 100020,PRC
TEL: +86-010-65309990
FAX: +86-010-65308516



EBARA MACHINERY (CHINA) CO., LTD.



EBARA

MACHINERY (CHINA)

Ebara Machinery (China) Co., Ltd

As the wholly owned subsidiary company of Ebara Subsidiary Corporation, Ebara Machinery (China) devotes itself to the expansion of Ebara's wind and hydraulic power business in China and supplying of advanced general pump, cooling tower, water supply system, heat exchanger and water treatment products and other services with high quality for clients.

Ebara is famous for producing advanced water pump, water supply system, cooling tower and heat exchanger. As a combined environment engineering enterprise, Ebara is staffed with over 15000 employees with its business covered 24 countries across the world. There are more than 107 production bases, branches and R&D research centers. By now, Ebara has made contributions to different fields and is enjoying reliability from tens of thousands of clients across the world.

Ebara Machinery (China) would make great efforts to promote the development of local clients; And as a part of Ebara Corporation, our mission is to offer strong strategic support to Ebara.

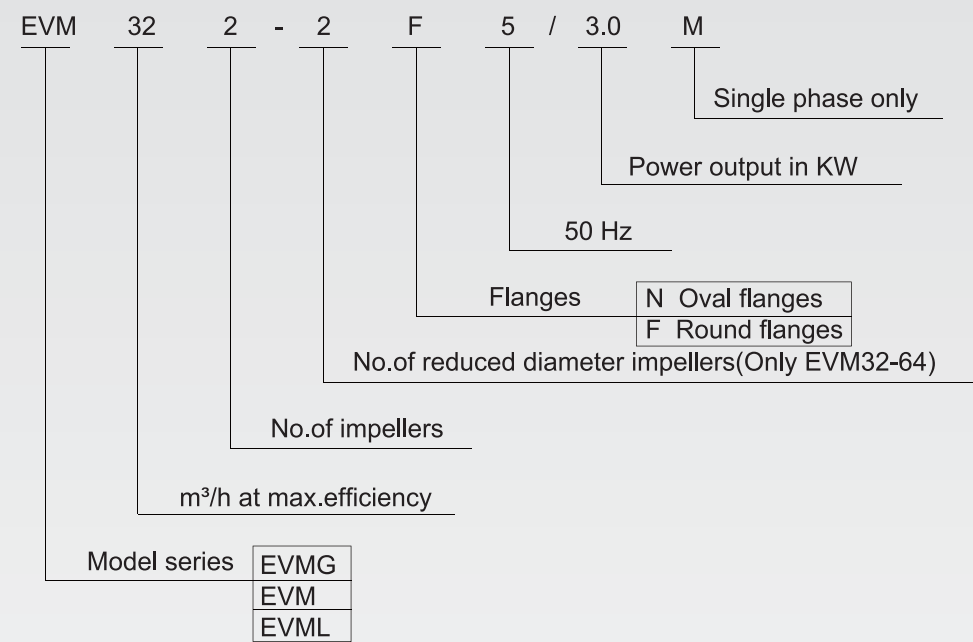
Index

■ Index	1
■ Model Code	2
■ Specifications	3
■ Selection Chart	4
■ Performance Data	5-6
■ Dimensions	7-9
■ Motor Rating	10-12

NOTE: ALL SPECIFICATIONS ARE SUBJECT TO CHANGE WITHOUT NOTICE

Model Code

Model Code

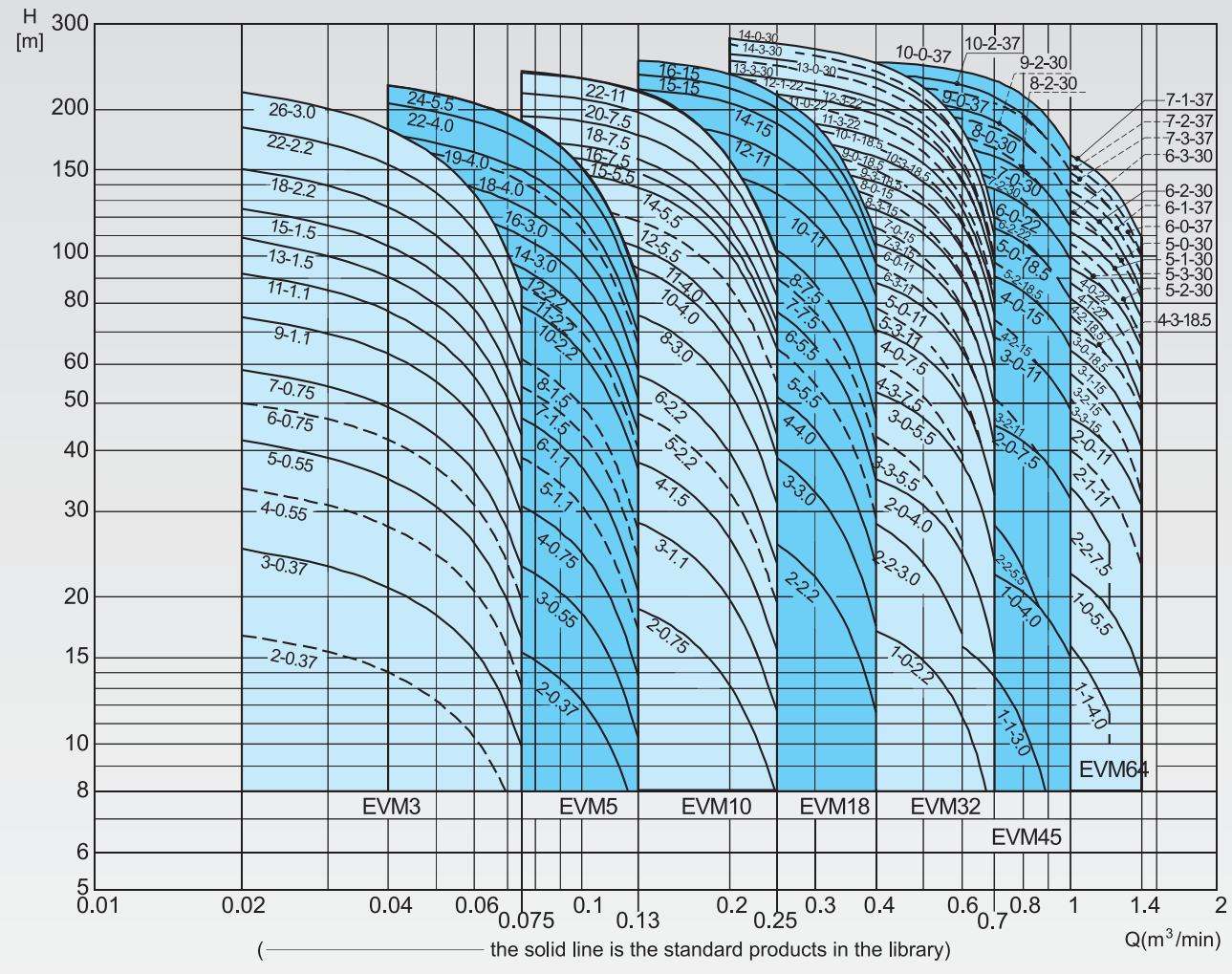


Specifications

		PUMP			
Type		EVMG	EVM	EVML	
Liquid Handled	Type of liquid	Clean water, water contains glycol and moderately aggressive fluids			
	Temperature [°C]	-15 °C to +120 °C			
	Max solid content	50ppm (Particle size 0.1-0.25mm or less)			
	Max chlorine ion density	500ppm			
Maximum working pressure	[MPa]	1.6/2.5/3.0			
	[bar]	16/25/30			
Construction	Impeller	Enclosed centrifugal type			
	Shaft seal type	Mechanical seal			
	Bearing	Sealed ball bearing with permanent grease			
Pipe connection	Suction/Discharge	See dimension table			
Material	Impeller	0Cr18Ni9	0Cr18Ni9	0Cr17Ni12Mo2	
	Intermediate casing	0Cr18Ni9	0Cr18Ni9	0Cr17Ni12Mo2	
	Casing cover	EVM32-64 QT400	QT400+0Cr18Ni9	QT400+0Cr17Ni12Mo2	
	Outer casing	0Cr18Ni9	0Cr18Ni9	0Cr17Ni12Mo2	
	Shaft	0Cr17Ni12Mo2	0Cr17Ni12Mo2	0Cr17Ni12Mo2	
	Liner ring	EVM3-32	EPDM / 0Cr18Ni9	EPDM / 0Cr18Ni9	PTFE / 0Cr17Ni12Mo2
		EVM45-64	PTFE / 0Cr17Ni12Mo2	PTFE / 0Cr17Ni12Mo2	PTFE / 0Cr17Ni12Mo2
	Bottom casting	HT200	ZG07Cr20Ni10	0Cr17Ni12Mo2	
	Motor bracket	EVM3-18	HT200	HT200+0Cr18Ni9	HT200+0Cr17Ni12Mo2
		EVM32-64	HT200	HT200	HT200
Mechanical Seal	SiC / Carbon / FPM	SiC / Carbon / FPM	SiC / Carbon / FPM		
O-Ring	EPDM	EPDM	FPM		
Applicable standard of test		GB/T3216-2005 -annex C			

		MOTOR	
Type		TEFC	
Phase		Three phase	
No. of Poles		2	
Power rating	[KW]	0.37 ~ 37	
	[HP]	0.5 ~ 50	
Insulation class		Class F (class B for temperature rise)	
Protection		IP 55	
Frequency		50	
Voltage	[V]	380±10% (≤4.0kw)	
		380/690±10% Delta conn (≥5.5kw)	
Over load protection		User to provide	
Casing material		Aluminium (≤7.5kw), Cast Iron (≥11kw)	
Flange mount (IEC motor)		IM B14 (≤4kw)	
		IM B5 (≥5.5Kw)	

Selection Chart



PERFORMANCE CURVES

The specifications below qualify the curves shown on the following pages.

- Tolerances according to GB/T3216-2005 annex C.
- The curves refer to effective speed of asynchronous motors at 50 Hz.
- Measurements were carried out with clean water at 20 C of temperature and with a kinematic viscosity of $\nu = 1\text{mm}^2/\text{s}$ (1cSt).
- The NPSH curve is an average curve obtained in the same conditions of performance curves.
- During the pump selection, consider to get a safety margin of at least 0.5m.
- The continuous curves indicate the recommended working range. The dotted curve is only a guide.
- In order to avoid the risk of over-heating, the pumps should not be used at a flow rate below 10% of best efficiency point.

Performance Data

EVM(.).3-5-10-18

Pump Type EVM(.).	Motor			Maximum working pressure (Mpa)	Q=Capacity																					
	kW	HP	Size		l/min	0	20	40	60	75	100	130	150	200	250	300	350	400								
Single phase	Three phase				m³/h	0	1.2	2.4	3.6	4.5	H=Total head (m)								6.0	7.8	9	12	15	18	21	24
3 2N5/0.37 M	3 2N5/0.37	0.37	0.5	71	1.6	18.6	16.7	14.0	10.3	6.6	-	-	-	-	-	-	-	-	-	-	-	-	-			
3 3N5/0.37 M	3 3N5/0.37	0.37	0.5	71	1.6	27.9	25.1	20.9	15.5	9.9	-	-	-	-	-	-	-	-	-	-	-	-	-			
3 4N5/0.55 M	3 4N5/0.55	0.55	0.75	71	1.6	37.2	33.4	27.9	20.6	13.2	-	-	-	-	-	-	-	-	-	-	-	-	-			
3 5N5/0.55 M	3 5N5/0.55	0.55	0.75	71	1.6	46.5	42.0	34.9	25.8	16.5	-	-	-	-	-	-	-	-	-	-	-	-	-			
3 6N5/0.75 M	3 6N5/0.75	0.75	1	80	1.6	56.0	50.0	42.0	30.9	19.8	-	-	-	-	-	-	-	-	-	-	-	-	-			
3 7N5/0.75 M	3 7N5/0.75	0.75	1	80	1.6	65.0	58.5	49.0	36.1	23.1	-	-	-	-	-	-	-	-	-	-	-	-	-			
3 9N5/1.1 M	3 9N5/1.1	1.1	1.5	80	1.6	84.0	75.0	63.0	46.5	29.7	-	-	-	-	-	-	-	-	-	-	-	-	-			
3 11N5/1.1 M	3 11N5/1.1	1.1	1.5	80	1.6	102.0	92.0	77.0	56.5	36.3	-	-	-	-	-	-	-	-	-	-	-	-	-			
3 13N5/1.5 M	3 13N5/1.5	1.5	2	90S	1.6	121.0	109.0	90.5	67.0	43.0	-	-	-	-	-	-	-	-	-	-	-	-	-			
3 15N5/1.5 M	3 15N5/1.5	1.5	2	90S	1.6	140.0	125.0	105.0	77.5	49.5	-	-	-	-	-	-	-	-	-	-	-	-	-			
3 18F5/2.2 M	3 18F5/2.2	2.2	3	90L	2.5	167.0	151.0	126.0	92.5	59.5	-	-	-	-	-	-	-	-	-	-	-	-	-			
3 22F5/2.2 M	3 22F5/2.2	2.2	3	90L	2.5	205.0	184.0	154.0	113.0	72.5	-	-	-	-	-	-	-	-	-	-	-	-	-			
-	3 26F5/3.0	3	4	100	2.5	242.0	217.0	182.0	134.0	86.0	-	-	-	-	-	-	-	-	-	-	-	-	-			
5 2N5/0.37 M	5 2N5/0.37	0.37	0.5	71	1.6	20.2	-	18.4	16.9	15.4	12.2	6.9	-	-	-	-	-	-	-	-	-	-	-			
5 3N5/0.55 M	5 3N5/0.55	0.55	0.75	71	1.6	30.2	-	27.6	25.3	23.1	18.4	10.3	-	-	-	-	-	-	-	-	-	-	-			
5 4N5/0.75 M	5 4N5/0.75	0.75	1	80	1.6	40.5	-	36.8	33.8	30.8	24.5	13.8	-	-	-	-	-	-	-	-	-	-	-			
5 5N5/1.1 M	5 5N5/1.1	1.1	1.5	80	1.6	50.5	-	46.0	42.0	38.6	30.6	17.2	-	-	-	-	-	-	-	-	-	-	-			
5 6N5/1.1 M	5 6N5/1.1	1.1	1.5	80	1.6	60.5	-	55.0	50.5	46.5	36.7	20.6	-	-	-	-	-	-	-	-	-	-	-			
5 7N5/1.5 M	5 7N5/1.5	1.5	2	90S	1.6	70.5	-	64.5	59.0	54.0	43.0	24.1	-	-	-	-	-	-	-	-	-	-	-			
5 8N5/1.5 M	5 8N5/1.5	1.5	2	90S	1.6	80.5	-	73.5	67.5	61.5	49.0	27.5	-	-	-	-	-	-	-	-	-	-	-			
5 10N5/2.2 M	5 10N5/2.2	2.2	3	90L	1.6	102.0	-	93.5	86.0	79.0	63.0	36.6	-	-	-	-	-	-	-	-	-	-	-			
5 11N5/2.2 M	5 11N5/2.2	2.2	3	90L	1.6	113.0	-	103.0	94.5	86.5	69.5	40.5	-	-	-	-	-	-	-	-	-	-	-			
5 12N5/2.2 M	5 12N5/2.2	2.2	3	90L	1.6	123.0	-	112.0	103.0	94.5	75.5	44.0	-	-	-	-	-	-	-	-	-	-	-			
-	5 14N5/3.0	3	4	100	1.6	143.0	-	131.0	120.0	110.0	88.0	51.0	-	-	-	-	-	-	-	-	-	-	-			
-	5 16N5/3.0	3	4	100	1.6	164.0	-	150.0	138.0	126.0	101.0	58.5	-	-	-	-	-	-	-	-	-	-	-			
-	5 18F5/4.0	4	5.5	112	2.5	184.0	-	168.0	155.0	142.0	113.0	66.0	-	-	-	-	-	-	-	-	-	-	-			
-	5 19F5/4.0	4	5.5	112	2.5	194.0	-	178.0	163.0	150.0	120.0	69.5	-	-	-	-	-	-	-	-	-	-	-			
-	5 22F5/4.0	4	5.5	112	2.5	225.0	-	206.0	189.0	173.0	139.0	80.5	-	-	-	-	-	-	-	-	-	-	-			
-	5 24F5/5.5	5.5	7.5	132S	2.5	246.0	-	224.0	206.0	189.0	151.0	88.0	-	-	-	-	-	-	-	-	-	-	-			
10 2N5/0.75 M	10 2N5/0.75	0.75	1	80	1.6	22.0	-	-	-	21.0	20.4	18.9	17.6	13.2	7.8	-	-	-	-	-	-	-	-			
10 3N5/1.1 M	10 3N5/1.1	1.1	1.5	80	1.6	33.0	-	-	-	31.6	30.5	28.4	26.4	19.8	11.7	-	-	-	-	-	-	-	-			
10 4N5/1.5 M	10 4N5/1.5	1.5	2	90S	1.6	44.0	-	-	-	42.0	40.5	37.8	35.2	26.4	15.6	-	-	-	-	-	-	-	-			
10 5N5/2.2 M	10 5N5/2.2	2.2	3	90L	1.6	55.0	-	-	-	52.5	51.0	47.5	44.0	33.0	19.5	-	-	-	-	-	-	-	-			
10 6N5/2.2 M	10 6N5/2.2	2.2	3	90L	1.6	66.0	-	-	-	63.0	61.0	57.0	53.0	39.5	23.4	-	-	-	-	-	-	-	-			
-	10 8N5/3.0	3	4	100	1.6	88.0	-	-	-	84.0	81.5	75.5	70.5	52.5	31.2	-	-	-	-	-	-	-	-			
-	10 10N5/4.0	4	5.5	112	1.6	110.0	-	-	-	105.0	102.0	94.5	88.0	66.0	39.0	-	-	-	-	-	-	-	-			
-	10 11N5/4.0	4	5.5	112	1.6	121.0	-	-	-	116.0	112.0	104.0	97.0	72.5	43.0	-	-	-	-	-	-	-	-			
-	10 12N5/5.5	5.5	7.5	132S	1.6	134.0	-	-	-	130.0	126.0	118.0	111.0	86.5	55.0	-	-	-	-	-	-	-	-			
-	10 14N5/5.5	5.5	7.5	132S	1.6	157.0	-	-	-	151.0	147.0	138.0	130.0	101.0	64.5	-	-	-	-	-	-	-	-			
-	10 15F5/5.5	5.5	7.5	132S	2.5	168.0	-	-	-	162.0	158.0	148.0	139.0	108.0	69.0	-	-	-	-	-	-	-	-			
-	10 16F5/7.5	7.5	10	132S	2.5	179.0	-	-	-	173.0	168.0	158.0	148.0	115.0	73.5	-	-	-	-	-	-	-	-			
-	10 18F5/7.5	7.5	10	132S	2.5	202.0	-	-	-	194.0	189.0	177.0	167.0	129.0	83.0	-	-	-	-	-	-	-	-			
-	10 20F5/7.5	7.5	10	132S	2.5	224.0	-	-	-	216.0	210.0	197.0	185.0	144.0	92.0	-	-	-	-	-	-	-	-			
-	10 22F5/11	11	15	160M	2.5	246.0	-	-	-	238.0	231.0	217.0	204.0	158.0	101.0	-	-	-	-	-	-	-	-			
18 2F5/2.2 M	18 2F5/2.2	2.2	3	90L	1.6	32.0	-	-	-	-	-	31.0	30.3	28.5	25.7	21.9	17.2	11.6	-	-	-	-	-			
-	18 3F5/3.0	3	4	100	1.6	48.0	-	-	-	-	-	46.0	45.5	43.0	38.6	32.8	25.7	17.4	-	-	-	-	-			
-	18 4F5/4.0	4	5.5	112	1.6	64.0	-	-	-	-	-	61.5	60.5	57.0	51.5	44.0	34.3	23.2	-	-	-	-	-			
-	18 5F5/5.5	5.5	7.5	132S	1.6	80.0	-	-	-	-	-	77.0	75.5	71.5	64.5	54.5	43.0	29.0	-	-	-	-	-			
-	18 6F5/5.5	5.5	7.5	132S	1.6	96.0	-	-	-	-	-	92.0	91.0	85.5	77.0	65.5	51.5	34.8	-	-	-	-	-			
-	18 7F5/7.5	7.5	10	132S	2.5	112.0	-	-	-	-	-	108.0	106.0	100.0	90.0	76.5	60.0	40.5	-	-	-	-	-			
-	18 8F5/7.5	7.5	10	132S	2.5	128.0	-	-	-	-	-	123.0	121.0	114.0	103.0	87.5	68.5	46.5	-	-	-	-	-			
-	18 10F5/11	11	15	160M	2.5	162.0	-	-	-	-	-	157.0	155.0	147.0	134.0	116.0	93.5	69.0	-	-	-	-	-			
-	18 12F5/11	11	15	160M	2.5	194.0	-	-	-	-	-	189.0	186.0	177.0	160.0	139.0	112.0	83.0	-	-	-	-	-			
-	18 14F5/15	15	20	160M	2.5	227.0	-	-	-	-	-	220.0	217.0	206.0	187.0	162.0	131.0	96.5	-	-	-	-	-			
-	18 15F5/15	15	20	160M	2.5	243.0	-	-	-	-	-	236.0	233.0	221.0	201.0	174.0	141.0	104.0	-	-	-	-	-			
-	18 16F5/15	15	20	160M	2.5	259.0	-	-	-	-	-	252.0	249.0	236.0	214.0	186.0	150.0	110.0	-	-	-	-	-			

Dimensions

EVM(.)3-5-10-18

Pump Type EVM(.)	Pmax. [MPa]2	Motor Size	Dimensions [mm]																												Weight[kg]		
			H	H2	H3 1)		F	E	B 1)		C 1)		BM	BL	BY1	BW	SA	SG	D1	D2	H8	SN	D3	BF	BH	A	Pump	EVM					
					1"	3"			1"	3"	1"	3"																1"	3"	P+M			
3 2N5/0.37	1.6	71	50	240.5	215	227	160	206	142	150	129	141	100	149	180	210	G1"	-	75	-	-	2	M10	Ø12	20	Ø105	11	11	22				
3 3N5/0.37	1.6	71	50	261.5	215	227	160	206	142	150	129	141	100	149	180	210	G1"	-	75	-	-	2	M10	Ø12	20	Ø105	12	11	23				
3 4N5/0.55	1.6	71	50	282.5	215	227	160	206	142	150	129	141	100	149	180	210	G1"	-	75	-	-	2	M10	Ø12	20	Ø105	12	12	24				
3 5N5/0.55	1.6	71	50	303.5	215	227	160	206	142	150	129	141	100	149	180	210	G1"	-	75	-	-	2	M10	Ø12	20	Ø105	13	12	25				
3 6N5/0.75	1.6	80	50	334.5	232	236	160	206	160	170	150	152	100	149	180	210	G1"	-	75	-	-	2	M10	Ø12	20	Ø120	14	13	27				
3 7N5/0.75	1.6	80	50	355.5	232	236	160	206	160	170	150	152	100	149	180	210	G1"	-	75	-	-	2	M10	Ø12	20	Ø120	14	13	27				
3 9N5/1.1	1.6	80	50	397.5	232	251	160	206	160	170	150	152	100	149	180	210	G1"	-	75	-	-	2	M10	Ø12	20	Ø120	15	15	29				
3 11N5/1.1	1.6	80	50	439.5	232	251	160	206	160	170	150	152	100	149	180	210	G1"	-	75	-	-	2	M10	Ø12	20	Ø120	16	15	31				
3 13N5/1.5	1.6	90S	50	491.5	278	272	160	206	172	194	140	152	100	149	180	210	G1"	-	75	-	-	2	M10	Ø12	20	Ø140	18	19	37				
3 15N5/1.5	1.6	90S	50	533.5	278	272	160	206	172	194	140	152	100	149	180	210	G1"	-	75	-	-	2	M10	Ø12	20	Ø140	19	19	38				
3 18F5/2.2	2.5	90L	75	631.5	278	272	-	250	172	194	140	152	100	149	180	210	Ø25	Ø66	Ø85	Ø115	16	4	Ø14	Ø12	20	Ø140	25	21	46				
3 22F5/2.2	2.5	90L	75	716.5	278	272	-	250	172	194	140	152	100	149	180	210	Ø25	Ø66	Ø85	Ø115	16	4	Ø14	Ø12	20	Ø140	27	21	48				
3 26F5/3.0	2.5	100	75	810.5	-	325	-	250	-	210	-	163	100	149	180	210	Ø25	Ø66	Ø85	Ø115	16	4	Ø14	Ø12	20	Ø160	31	28	59				
5 2N5/0.37	1.6	71	50	254.5	215	227	160	206	142	150	129	141	100	149	180	210	G1"14	-	75	-	-	2	M10	Ø12	20	Ø105	12	11	23				
5 3N5/0.55	1.6	71	50	282.5	215	227	160	206	142	150	129	141	100	149	180	210	G1"14	-	75	-	-	2	M10	Ø12	20	Ø105	12	12	24				
5 4N5/0.75	1.6	80	50	320.5	232	236	160	206	160	170	150	152	100	149	180	210	G1"14	-	75	-	-	2	M10	Ø12	20	Ø120	13	13	26				
5 5N5/1.1	1.6	80	50	348.5	232	251	160	206	160	170	150	152	100	149	180	210	G1"14	-	75	-	-	2	M10	Ø12	20	Ø120	14	15	28				
5 6N5/1.1	1.6	80	50	376.5	232	251	160	206	160	170	150	152	100	149	180	210	G1"14	-	75	-	-	2	M10	Ø12	20	Ø120	14	15	29				
5 7N5/1.5	1.6	90S	50	414.5	278	272	160	206	172	194	140	152	100	149	180	210	G1"14	-	75	-	-	2	M10	Ø12	20	Ø140	15	19	34				
5 8N5/1.5	1.6	90S	50	442.5	278	272	160	206	172	194	140	152	100	149	180	210	G1"14	-	75	-	-	2	M10	Ø12	20	Ø140	16	19	35				
5 10N5/2.2	1.6	90L	50	508.5	278	272	160	206	172	194	140	152	100	149	180	210	G1"14	-	75	-	-	2	M10	Ø12	20	Ø140	18	21	39				
5 11N5/2.2	1.6	90L	50	536.5	278	272	160	206	172	194	140	152	100	149	180	210	G1"14	-	75	-	-	2	M10	Ø12	20	Ø140	19	21	40				
5 12N5/2.2	1.6	90L	50	564.5	278	272	160	206	172	194	140	152	100	149	180	210	G1"14	-	75	-	-	2	M10	Ø12	20	Ø140	20	21	41				
5 14N5/3.0	1.6	100	50	630.5	-	325	160	206	-	210	-	163	100	149	180	210	G1"14	-	75	-	-	2	M10	Ø12	20	Ø160	22	28	50				
5 16N5/3.0	1.6	100	50	687.5	-	325	160	206	-	210	-	163	100	149	180	210	G1"14	-	75	-	-	2	M10	Ø12	20	Ø160	23	28	51				
5 18F5/4.0	2.5	112	75	768.5	-	325	-	250	-	210	-	163	100	149	180	210	Ø32	Ø76	Ø100	Ø140	20	4	Ø14	Ø12	20	Ø160	29	30	59				
5 19F5/4.0	2.5	112	75	796.5	-	325	-	250	-	210	-	163	100	149	180	210	Ø32	Ø76	Ø100	Ø140	20	4	Ø14	Ø12	20	Ø160	29	30	59				
5 22F5/4.0	2.5	112	75	880.5	-	325	-	250	-	210	-	163	100	149	180	210	Ø32	Ø76	Ø100	Ø140	20	4	Ø14	Ø12	20	Ø160	31	30	61				
5 24F5/5.5	2.5	132S	75	947.5	-	359.5	-	250	-	243	-	240	100	149	180	210	Ø32	Ø76	Ø100	Ø140	20	4	Ø14	Ø12	20	Ø300	35	47	82				
10 2N5/0.75	1.6	80	80	332.5	232	236	200	252	160	170	150	152	130	190	215	250	G1"12	-	100	-	-	2	M12	Ø12	20	Ø120	18	13	31				
10 3N5/1.1	1.6	80	80	362.5	232	251	200	252	160	170	150	152	130	190	215	250	G1"12	-	100	-	-	2	M12	Ø12	20	Ø120	20	15	34				
10 4N5/1.5	1.6	90S	80	402.5	278	272	200	252	172	194	140	152	130	190	215	250	G1"12	-	100	-	-	2	M12	Ø12	20	Ø140	22	19	41				
10 5N5/2.2	1.6	90L	80	442.5	278	272	200	252	172	194	140	152	130	190	215	250	G1"12	-	100	-	-	2	M12	Ø12	20	Ø140	23	21	44				
10 6N5/2.2	1.6	90L	80	472.5	278	272	200	252	172	194	140	152	130	190	215	250	G1"12	-	100	-	-	2	M12	Ø12	20	Ø140	24	21	45				
10 8N5/3.0	1.6	100	80	542.5	-	325	200	252	-	210	-	163	130	190	215	250	G1"12	-	100	-	-	2	M12	Ø12	20	Ø160	31	28	59				
10 10N5/4.0	1.6	112	80	602.5	-	325	200	252	-	210	-	163	130	190	215	250	G1"12	-	100	-	-	2	M12	Ø12	20	Ø160	32	30	62				
10 11N5/4.0	1.6	112	80	632.5	-	325	200	252	-	210	-	163	130	190	215	250	G1"12	-	100	-	-	2	M12	Ø12	20	Ø160	34	30	64				
10 12N5/5.5	1.6	132S	80	673.5	-	359.5	200	252	-	243	-	240	130	190	215	250	G1"12	-	100	-	-	2	M12	Ø12	20	Ø300	39	47	86				
10 14N5/5.5	1.6	132S	80	733.5	-	359.5	200	252	-	243	-	240	130	190	215	250	G1"12	-	100	-	-	2	M12	Ø12	20	Ø300	42	47	89				
10 15F5/5.5	2.5	132S	80	763.5	-	359.5	-	280	-	243	-	240	130	190	215	250	Ø40	Ø88	Ø110	Ø150	20	4	Ø18	Ø12	20	Ø300	46	47	93				
10 16F5/7.5	2.5	132S	80	793.5	-	359.5	-	280	-	243	-	240	130	190	215	250	Ø40	Ø88	Ø110	Ø150	20	4	Ø18	Ø12	20	Ø300	48	51	99				
10 18F5/7.5	2.5	132S	80	853.5	-	359.5	-	280	-	243	-	240	130	190	215	250	Ø40	Ø88	Ø110	Ø150	20	4	Ø18	Ø12	20	Ø300	50	51	101				
10 20F5/7.5	2.5	132S	80	914.5	-	359.5	-	280	-	243	-	240	130	190	215	250	Ø40	Ø88	Ø110	Ø150	20	4	Ø18	Ø12	20	Ø300	50	51	101				
10 22F5/11	2.5	160M	80	1004.5	-	493	-	300	-	243	-	240	130	190	215	250	Ø40	Ø88	Ø110	Ø150	20	4	Ø18	Ø12	20	Ø350	56	90	146				
18 2F5/2.2	1.6	90L	90	372.5	278	272	-	300	172	194	140	152	130	190	215	250	Ø50	Ø102	Ø125	Ø165	20	4	Ø18	Ø12	20	Ø140	27	21	48				
18 3F5/3.0	1.6	100	90	422.5	-	325	-	300	-	210	-	163	130	190	215	250	Ø50	Ø102	Ø125	Ø165	20	4	Ø18	Ø12	20	Ø160	29	28	57				
18 4F5/4.0	1.6	112	90	472.5	-	325	-	300	-	210	-	163	130	190	215	250	Ø50	Ø102	Ø125	Ø165	20	4	Ø18	Ø12	20	Ø160	31	30	61				
18 5F5/5.5	1.6	132S	90	523.5	-	359.5	-	300	-	243	-	240	130	190	215	250	Ø50	Ø102	Ø125	Ø165	20	4	Ø18	Ø12	20	Ø300	38	47	85				
18 6F5/5.5	1.6	132S	90	563.5	-	359.5	-	300	-	243	-	240	130	190	215	250	Ø50	Ø102	Ø125	Ø165	20	4	Ø18	Ø12	20	Ø300	41	47	88				
18 7F5/7.5	2.5	132S	90	603.5	-	359.5	-	300	-	243	-	240	130	190	215	250	Ø50	Ø102	Ø125	Ø165	20												

Motor Rating

EVM(.)3-5-10-18

Pump Type EVM(.)	Motor			Standard motors technical data		Full load current [A]			Locked rotor current [A]		
	Size	ball bearing		Full load efficiency and power-factor Three phase		Three phase			Three phase		
		Pump side	Fan side	η%	cos-Φ	220V	380V	690V	220V	380V	690V
3 2N5/0.37	71	6202-ZZ	6202-ZZ	65.3	0.70	1.9	1.1	-	9.0	5.2	-
3 3N5/0.37	71	6202-ZZ	6202-ZZ	65.3	0.70	1.9	1.1	-	9.0	5.2	-
3 4N5/0.55	71	6202-ZZ	6202-ZZ	70.8	0.70	2.8	1.6	-	13.3	7.7	-
3 5N5/0.55	71	6202-ZZ	6202-ZZ	70.8	0.70	2.8	1.6	-	13.3	7.7	-
3 6N5/0.75	80	6204-ZZ	6204-ZZ	74.5	0.78	3.3	1.9	-	16.5	9.5	-
3 7N5/0.75	80	6204-ZZ	6204-ZZ	74.5	0.78	3.3	1.9	-	16.5	9.5	-
3 9N5/1.1	80	6204-ZZ	6204-ZZ	77.6	0.82	4.3	2.5	-	19.9	11.5	-
3 11N5/1.1	80	6204-ZZ	6204-ZZ	77.6	0.82	4.3	2.5	-	19.9	11.5	-
3 13N5/1.5	90	6205-ZZ	6205-ZZ	78.6	0.82	5.9	3.4	-	29.4	17.0	-
3 15N5/1.5	90	6205-ZZ	6205-ZZ	78.6	0.82	5.9	3.4	-	29.4	17.0	-
3 18F5/2.2	90	6205-ZZ	6205-ZZ	81.8	0.81	8.5	4.9	-	60.3	34.8	-
3 22F5/2.2	90	6205-ZZ	6205-ZZ	81.8	0.81	8.5	4.9	-	60.3	34.8	-
3 26F5/3.0	100	6206-ZZ	6206-ZZ	82.6	0.85	11.3	6.5	-	81.4	47.0	-
5 2N5/0.37	71	6202-ZZ	6202-ZZ	65.3	0.70	1.9	1.1	-	9.0	5.2	-
5 3N5/0.55	71	6202-ZZ	6202-ZZ	70.8	0.70	2.8	1.6	-	13.3	7.7	-
5 4N5/0.75	80	6204-ZZ	6204-ZZ	74.5	0.78	3.3	1.9	-	16.5	9.5	-
5 5N5/1.1	80	6204-ZZ	6204-ZZ	77.6	0.82	4.3	2.5	-	19.9	11.5	-
5 6N5/1.1	80	6204-ZZ	6204-ZZ	77.6	0.82	4.3	2.5	-	19.9	11.5	-
5 7N5/1.5	90	6205-ZZ	6205-ZZ	78.6	0.82	5.9	3.4	-	29.4	17.0	-
5 8N5/1.5	90	6205-ZZ	6205-ZZ	78.6	0.82	5.9	3.4	-	29.4	17.0	-
5 10N5/2.2	90	6205-ZZ	6205-ZZ	81.8	0.81	8.5	4.9	-	60.3	34.8	-
5 11N5/2.2	90	6205-ZZ	6205-ZZ	81.8	0.81	8.5	4.9	-	60.3	34.8	-
5 12N5/2.2	90	6205-ZZ	6205-ZZ	81.8	0.81	8.5	4.9	-	60.3	34.8	-
5 14N5/3.0	100	6206-ZZ	6206-ZZ	82.6	0.85	11.3	6.5	-	81.4	47.0	-
5 16N5/3.0	100	6206-ZZ	6206-ZZ	82.6	0.85	11.3	6.5	-	81.4	47.0	-
5 18F5/4.0	112	6206-ZZ	6206-ZZ	85.0	0.84	14.7	8.5	-	119.5	69.0	-
5 19F5/4.0	112	6206-ZZ	6206-ZZ	85.0	0.84	14.7	8.5	-	119.5	69.0	-
5 22F5/4.0	112	6206-ZZ	6206-ZZ	85.0	0.84	14.7	8.5	-	119.5	69.0	-
5 24F5/5.5	132	6208-ZZ	6208-ZZ	85.7	0.86	-	10.8	6.2	-	71.3	41.2
10 2N5/0.75	80	6204-ZZ	6204-ZZ	74.5	0.78	3.3	1.9	-	16.5	9.5	-
10 3N5/1.1	80	6204-ZZ	6204-ZZ	77.6	0.82	4.3	2.5	-	19.9	11.5	-
10 4N5/1.5	90	6205-ZZ	6205-ZZ	78.6	0.82	5.9	3.4	-	29.4	17.0	-
10 5N5/2.2	90	6205-ZZ	6205-ZZ	81.8	0.81	8.5	4.9	-	60.3	34.8	-
10 6N5/2.2	90	6205-ZZ	6205-ZZ	81.8	0.81	11.3	4.9	-	60.3	34.8	-
10 8N5/3.0	100	6206-ZZ	6206-ZZ	82.6	0.85	14.7	6.5	-	81.4	47.0	-
10 10N5/4.0	112	6206-ZZ	6206-ZZ	85.0	0.84	14.7	8.5	-	119.5	69.0	-
10 11N5/4.0	112	6206-ZZ	6206-ZZ	85.0	0.84	-	8.5	-	119.5	69.0	-
10 12N5/5.5	132	6208-ZZ	6208-ZZ	85.7	0.86	-	10.8	6.2	-	71.3	41.2
10 14N5/5.5	132	6208-ZZ	6208-ZZ	85.7	0.86	-	10.8	6.2	-	71.3	41.2
10 15F5/5.5	132	6208-ZZ	6208-ZZ	85.7	0.86	-	10.8	6.2	-	71.3	41.2
10 16F5/7.5	132	6208-ZZ	6208-ZZ	87.0	0.89	-	14.1	8.1	-	101.5	58.6
10 18F5/7.5	132	6208-ZZ	6208-ZZ	87.0	0.89	-	14.1	8.1	-	101.5	58.6
10 20F5/7.5	132	6208-ZZ	6208-ZZ	87.0	0.89	-	14.1	8.1	-	101.5	58.6
10 22F5/11	160	6209-ZZ	6209-ZZ	88.7	0.84	-	21.5	12.4	-	144.0	83.1
18 2F5/2.2	90L	6205-ZZ	6205-ZZ	81.8	0.81	8.5	4.9	-	60.3	34.8	-
18 3F5/3.0	100	6206-ZZ	6206-ZZ	82.6	0.85	11.3	6.5	-	81.4	47.0	-
18 4F5/4.0	112	6206-ZZ	6206-ZZ	85.0	0.84	14.7	8.5	-	119.5	69.0	-
18 5F5/5.5	132	6208-ZZ	6208-ZZ	85.7	0.86	-	10.8	6.2	-	71.3	41.2
18 6F5/5.5	132	6208-ZZ	6208-ZZ	85.7	0.86	-	10.8	6.2	-	71.3	41.2
18 7F5/7.5	132	6208-ZZ	6208-ZZ	87.0	0.89	-	14.1	8.1	-	101.5	58.6
18 8F5/7.5	132	6208-ZZ	6208-ZZ	87.0	0.89	-	14.1	8.1	-	101.5	58.6
18 10F5/11	160	6209-ZZ	6209-ZZ	88.7	0.84	-	21.5	12.4	-	144.0	83.1
18 12F5/11	160	6209-ZZ	6209-ZZ	88.7	0.84	-	21.5	12.4	-	144.0	83.1
18 14F5/15	160	6209-ZZ	6209-ZZ	89.7	0.85	-	28.5	16.5	-	205.2	118.5
18 15F5/15	160	6209-ZZ	6209-ZZ	89.7	0.85	-	28.5	16.5	-	205.2	118.5
18 16F5/15	160	6209-ZZ	6209-ZZ	89.7	0.85	-	28.5	16.5	-	205.2	118.5

Motor Rating

EVM(.)32-45

Pump Type EVM(.)	Motor			Standard motors technical data		Full load current [A]			Locked rotor current [A]		
	Size	ball bearing		Full load efficiency and power-factor Three phase		Three phase			Three phase		
		Pump side	Fan side	η%	cos-Φ	220V	380V	690V	220V	380V	690V
32 1-0F5/2.2	90L	6205-ZZ	6205-ZZ	81.8	0.81	8.5	4.9	-	60.3	34.8	-
32 2-2F5/3.0	100	6206-ZZ	6206-ZZ	82.6	0.85	11.3	6.5	-	81.4	47.0	-
32 2-0F5/4.0	112	6206-ZZ	6206-ZZ	85.0	0.84	14.7	8.5	-	119.5	69.0	-
32 3-3F5/5.5	132S	6208-ZZ	6208-ZZ	85.7	0.86	-	10.8	6.2	-	71.3	41.2
32 3-0F5/5.5	132S	6208-ZZ	6208-ZZ	85.7	0.86	-	10.8	6.2	-	71.3	41.2
32 4-3F5/7.5	132S	6208-ZZ	6208-ZZ	87.0	0.89	-	14.1	8.1	-	101.5	58.6
32 4-0F5/7.5	132S	6208-ZZ	6208-ZZ	87.0	0.89	-	14.1	8.1	-	101.5	58.6
32 5-3F5/11	160M	6209-ZZ	6209-ZZ	88.7	0.84	-	21.5	12.4	-	144.0	83.1
32 5-0F5/11	160M	6209-ZZ	6209-ZZ	88.7	0.84	-	21.5	12.4	-	144.0	83.1
32 6-3F5/11	160M	6209-ZZ	6209-ZZ	88.7	0.84	-	21.5	12.4	-	144.0	83.1
32 6-0F5/11	160M	6209-ZZ	6209-ZZ	88.7	0.84	-	21.5	12.4	-	144.0	83.1
32 7-3F5/15	160M	6209-ZZ	6209-ZZ	89.7	0.85	-	28.5	16.5	-	205.2	118.5
32 7-0F5/15	160M	6209-ZZ	6209-ZZ	89.7	0.85	-	28.5	16.5	-	205.2	118.5
32 8-3F5/15	160M	6209-ZZ	6209-ZZ	89.7	0.85	-	28.5	16.5	-	205.2	118.5
32 8-0F5/15	160M	6209-ZZ	6209-ZZ	89.7	0.85	-	28.5	16.5	-	205.2	118.5
32 9-3F5/18.5	160L	6209-ZZ	6209-ZZ	90.4	0.86	-	34.5	19.8	-	262.2	151.4
32 9-0F5/18.5	160L	6209-ZZ	6209-ZZ	90.4	0.86	-	34.5	19.8	-	262.2	151.4
32 10-3F5/18.5	160L	6209-ZZ	6209-ZZ	90.4	0.86	-	34.5	19.8	-	262.2	151.4
32 10-1F5/18.5	160L	6209-ZZ	6209-ZZ	90.4	0.86	-	34.5	19.8	-	262.2	151.4
32 11-3F5/22	180	6210-ZZ	6209-ZZ	90.8	0.86	-	41.0	23.7	-	303.4	175.2
32 11-0F5/22	180	6210-ZZ	6209-ZZ	90.8	0.86	-	41.0	23.7	-	303.4	175.2
32 12-3F5/22	180	6210-ZZ	6209-ZZ	90.8	0.86	-	41.0	23.7	-	303.4	175.2
32 12-1F5/22	180	6210-ZZ	6209-ZZ	90.8	0.86	-	41.0	23.7	-	303.4	175.2
32 13-3F5/30	200	6210-ZZ	6210-ZZ	91.6	0.85	-	56.0	32.3	-	436.8	252.2
32 13-0F5/30	200	6210-ZZ	6210-ZZ	91.6	0.85	-	56.0	32.3	-	436.8	252.2
32 14-3F5/30	200	6210-ZZ	6210-ZZ	91.6	0.85	-	56.0	32.3	-	436.8	252.2
32 14-0F5/30	200	6210-ZZ	6210-ZZ	91.6	0.85	-	56.0	32.3	-	436.8	252.2
45 1-1F5/3.0	100	6206-ZZ	6206-ZZ	82.6	0.85	11.3	6.5	-	81.4	47.0	-
45 1-0F5/4.0	112	6206-ZZ	6206-ZZ	85.0	0.84	14.7	8.5	-	119.5	69.0	-
45 2-2F5/5.5	132S	6208-ZZ	6208-ZZ	85.7	0.86	-	10.8	6.2	-	71.3	41.2
45 2-0F5/7.5	132S	6208-ZZ	6208-ZZ	87.0	0.89	-	14.1	8.1	-	101.5	58.6
45 3-2F5/11	160M	6209-ZZ	6209-ZZ	88.7	0.84	-	21.5	12.4	-	144.0	83.1
45 3-0F5/11	160M	6209-ZZ	6209-ZZ	88.7	0.84	-	21.5	12.4	-	144.0	83.1
45 4-2F5/15	160M	6209-ZZ	6209-ZZ	89.7	0.85	-	28.5	16.5	-	205.2	118.5
45 4-0F5/15	160M	6209-ZZ	6209-ZZ	89.7	0.85	-	28.5	16.5	-	205.2	118.5
45 5-2F5/18.5	160L	6209-ZZ	6209-ZZ	90.4	0.86	-	34.5	19.8	-	262.2	151.4
45 5-0F5/18.5	160L	6209-ZZ	6209-ZZ	90.4	0.86	-	34.5	19.8	-	262.2	151.4
45 6-2F5/22	180	6210-ZZ	6209-ZZ	90.8	0.86	-	41.0	23.7	-	303.4	175.2
45 6-0F5/22	180	6210-ZZ	6209-ZZ	90.8	0.86	-	41.0	23.7	-	303.4	175.2
45 7-2F5/30	200	6210-ZZ	6210-ZZ	91.6	0.85	-	56.0	32.3	-	436.8	252.2
45 7-0F5/30	200	6210-ZZ	6210-ZZ	91.6	0.85	-	56.0	32.3	-	436.8	252.2
45 8-2F5/30	200	6210-ZZ	6210-ZZ	91.6	0.85	-	56.0	32.3	-	436.8	252.2
45 8-0F5/30	200	6210-ZZ	6210-ZZ	91.6	0.85	-	56.0	32.3	-	436.8	252.2
45 9-2F5/30	200	6210-ZZ	6210-ZZ	91.6	0.85	-	56.0	32.3	-	436.8	252.2
45 9-0F5/37	200	6212-ZZ	6212-ZZ	92.2	0.86	-					

Motor Rating

EVM(.)64

Pump Type EVM(.)	Motor			Standard motors technical data Full load efficiency and power-factor Three phase		Full load current [A] Three phase			Locked rotor current [A] Three phase		
	Size	ball bearing		η%	cos-Φ	220V	380V	690V	220V	380V	690V
		Pump side	Fan side								
64 1-1F5/4.0	100	6206-ZZ	6206-ZZ	85.0	0.84	14.7	8.5	-	119.5	69.0	-
64 1-0F5/5.5	132S	6208-ZZ	6208-ZZ	85.7	0.86	-	10.8	6.2	-	71.3	41.2
64 2-2F5/7.5	132S	6208-ZZ	6208-ZZ	87.0	0.89	-	14.1	8.1	-	101.5	58.6
64 2-1F5/11	160M	6209-ZZ	6209-ZZ	88.7	0.84	-	21.5	12.4	-	144.0	83.1
64 2-0F5/11	160M	6209-ZZ	6209-ZZ	88.7	0.84	-	21.5	12.4	-	144.0	83.1
64 3-3F5/15	160M	6209-ZZ	6209-ZZ	89.7	0.85	-	28.5	16.5	-	205.2	118.5
64 3-2F5/15	160M	6209-ZZ	6209-ZZ	89.7	0.85	-	28.5	16.5	-	205.2	118.5
64 3-1F5/15	160M	6209-ZZ	6209-ZZ	89.7	0.85	-	28.5	16.5	-	205.2	118.5
64 3-0F5/18.5	160L	6209-ZZ	6209-ZZ	90.4	0.86	-	34.5	19.8	-	262.2	151.4
64 4-3F5/18.5	160L	6209-ZZ	6209-ZZ	90.4	0.86	-	34.5	19.8	-	262.2	151.4
64 4-2F5/18.5	160L	6209-ZZ	6209-ZZ	90.4	0.86	-	34.5	19.8	-	262.2	151.4
64 4-1F5/22	180	6210-ZZ	6209-ZZ	90.8	0.86	-	41.0	23.7	-	303.4	175.2
64 4-0F5/22	180	6210-ZZ	6209-ZZ	90.8	0.86	-	41.0	23.7	-	303.4	175.2
64 5-3F5/30	200	6210-ZZ	6210-ZZ	91.6	0.85	-	56.0	32.3	-	436.8	252.2
64 5-2F5/30	200	6210-ZZ	6210-ZZ	91.6	0.85	-	56.0	32.3	-	436.8	252.2
64 5-1F5/30	200	6210-ZZ	6210-ZZ	91.6	0.85	-	56.0	32.3	-	436.8	252.2
64 5-0F5/30	200	6210-ZZ	6210-ZZ	91.6	0.85	-	56.0	32.3	-	436.8	252.2
64 6-3F5/30	200	6210-ZZ	6210-ZZ	91.6	0.85	-	56.0	32.3	-	436.8	252.2
64 6-2F5/30	200	6210-ZZ	6210-ZZ	91.6	0.85	-	56.0	32.3	-	436.8	252.2
64 6-1F5/37	200	6212-ZZ	6212-ZZ	92.2	0.86	-	67.5	39.0	-	519.7	300.0
64 6-0F5/37	200	6212-ZZ	6212-ZZ	92.2	0.86	-	67.5	39.0	-	519.7	300.0
64 7-3F5/37	200	6212-ZZ	6212-ZZ	92.2	0.86	-	67.5	39.0	-	519.7	300.0
64 7-2F5/37	200	6212-ZZ	6212-ZZ	92.2	0.86	-	67.5	39.0	-	519.7	300.0
64 7-1F5/37	200	6212-ZZ	6212-ZZ	92.2	0.86	-	67.5	39.0	-	519.7	300.0

MEMO

