



Alfa Laval T6

Gasketed plate-and-frame heat exchanger for a wide range of applications

Introduction

Alfa Laval Industrial line is a wide product range that is used in virtually all types of industry.

Designed for high throughput, this model delivers excellent thermal performance. A large selection of plate and gasket types is available.

Applications

- Biotech and Pharmaceutical
- Chemicals
- Energy and Utilities
- Food and Beverages
- Home and Personal care
- HVAC and Refrigeration
- Machinery and Manufacturing
- Marine and Transportation
- Mining, Minerals and Pigments
- Pulp and Paper
- Semiconductor and Electronics
- Steel
- Water and Waste treatment

Benefits

- High energy efficiency – low operating cost
- Flexible configuration – heat transfer area can be modified
- Easy to install – compact design
- High serviceability – easy to open for inspection and cleaning and easy to clean by CIP
- Access to Alfa Laval's global service network

Features

Every detail is carefully designed to ensure optimal performance, maximum uptime and easy maintenance. Selection of available features, depending on configuration some features may not be applicable:



- CurveFlow™ distribution area
- ClipGrip™ gasket attachment
- Offset gasket groove
- OmegaPort™ noncircular port holes
- Leak chamber
- SteerLock™ plate alignment
- FlexFlow™ plate design



- Compact frame
- Fixed bolt head
- Key hole bolt opening
- Lifting lug
- Lining
- Lock washer
- Tightening bolt cover

Alfa Laval 360° Service Portfolio

Our extensive service offering ensure top performance from your Alfa Laval equipment throughout its life cycle. The Alfa Laval 360 Service Portfolio include installation services, cleaning and repair as well as spare parts, technical documentation and trouble shooting. We also offer replacement, retrofit, monitoring and much more.

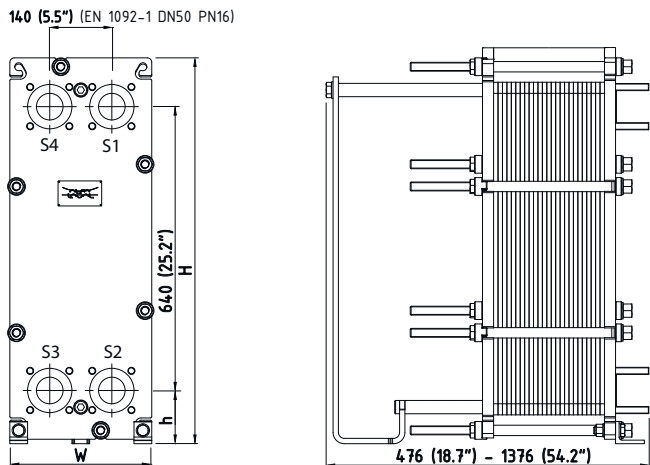
For information about our complete service offering and how to contact us - please visit www.alfalaval.com/service.

General remarks for technical information

- The global offering presented in this leaflet may not be available for all regions
- All combinations may not be configurable

Dimensional drawing

Measurements mm (inches)



| Type | H | W | h |
|----------------------|----------------|--------------|---------------|
| T6-FM ALS | 870 (34.2") | 320 (12.6") | 120 (4.72") |
| T6-FG ALS, PED, ASME | 870 (34.2") | 320 (12.6") | 120 (4.72") |
| T6-FD ALS | 890 (35") | 330 (13") | 130 (5.12") |
| T6-FD PED, ASME | 890 (35") | 330 (13") | 130 (5.12") |
| T6-ZM ALS | 827.5 (32.57") | 298 (11.73") | 102.5 (4.03") |

The number of tightening bolts may vary depending on pressure rating.

Technical data

| Plates | Type | Free channel, mm (inches) |
|--------|--------------|---------------------------|
| B | Single plate | 1.80 (0.071) |
| P | Single plate | 3.00 (0.118) |

Materials

| | |
|--------------------------|---|
| Heat transfer plates | 304, 316, 254, C276, 904L, C2000, D-205, Ni, TiPd, Ti |
| Field gaskets | NBR, EPDM, FKM, FKMT, HNBR |
| Flange connections | Metal lined: stainless steel, titanium |
| Frame and pressure plate | Carbon steel, epoxy painted |

Other materials may be available on request

Operational data

| Frame, PV-code | Max. design pressure (barg/psig) | Max. design temperature (°C/°F) |
|----------------|----------------------------------|---------------------------------|
| FM, pvcALS | 12.0/174 | 200/392 |
| FG, pvcALS | 18.0/261 | 200/392 |
| FG, ASME | 11.2/162 | 250/482 |

This document and its contents are subject to copyrights and other intellectual property rights owned by Alfa Laval Corporate AB. No part of this document may be copied, re-produced or transmitted in any form or by any means, or for any purpose, without Alfa Laval Corporate AB's prior express written permission. Information and services provided in this document are made as a benefit and service to the user, and no representations or warranties are made about the accuracy or suitability of this information and these services for any purpose. All rights are reserved.

200001067-6-EN-GB

© Alfa Laval Corporate AB

How to contact Alfa Laval

Up-to-date Alfa Laval contact details for all countries are always available on our website at www.alfalaval.com

| Frame, PV-code | Max. design pressure (barg/psig) | Max. design temperature (°C/°F) |
|----------------|----------------------------------|---------------------------------|
| FG, PED | 20.0/290 | 200/392 |
| FD, pvcALS | 31.0/449.5 | 200/392 |
| FD, ASME | 23.8/345 | 250/482 |
| FD, PED | 31.0/449.5 | 200/392 |
| ZM, pvcALS | 10.0/145 | 110/230 |

Extended pressure and temperature rating may be available on request.

Flange connections

| Frame model | Connection standard |
|-------------|---|
| FM, pvcALS | EN 1092-1 DN50 PN10 |
| | ASME B16.5 Class 150 NPS 2 |
| | JIS B2220 10K 50A External thread ISO-G |
| FG, pvcALS | EN 1092-1 DN50 PN16 |
| | ASME B16.5 Class 150 NPS 2 |
| | JIS B2220 10K 50A JIS B2220 16K 50A |
| FG, ASME | ASME B16.5 Class 150 NPS 2 |
| | Straight (welding) NPS 2 External thread NPT NPS 2 |
| FG, PED | EN 1092-1 DN50 PN16 |
| | ASME B16.5 Class 150 NPS 2 |
| FD, pvcALS | EN 1092-1 DN50 PN25 |
| | ASME B16.5 Class 150 NPS 4 |
| | ASME B16.5 Class 300 NPS 2 (Rectangular Loose Flange) JIS B2220 20K 50A (Rectangular Loose Flange) |
| FD, ASME | ASME B16.5 Class 300 NPS 2 (Rectangular Loose Flange) |
| | Straight (welding) NPS 2 External thread NPT NPS 2 |
| FD, PED | EN 1092-1 DN50 PN25 |
| | ASME B16.5 Class 300 NPS 2 (Rectangular Loose Flange) |
| ZM, pvcALS | EN 1092-1 DN50 PN10 |

Pipe connections

| Connection type | Connection standard |
|-----------------|---------------------|
| Threaded port | ISO 228 - G 2 |
| External thread | ISO 228 - G 2 B |

Other connection types may be available on request.