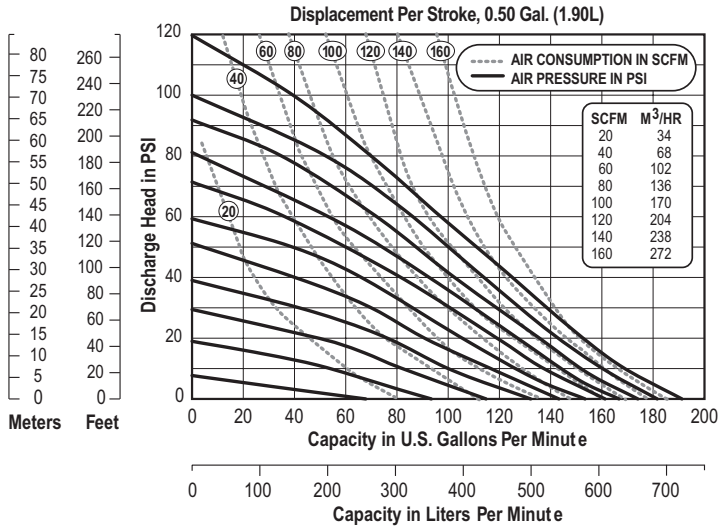


U2 DATA SHEET

SPECIFICATIONS & PERFORMANCE

2" Bolted Plastic with Plastic Center Sections

PERFORMANCE



NOTE: Performance based on the following: elastomeric fitted pump, flooded suction, water at ambient conditions. The use of other materials and varying hydraulic conditions may result in deviations in excess of 5%.

SPECIFICATIONS

Flow Rate

Adjustable to . . . 0-192 gpm (727 lpm)

Port Size

Suction . . . 2" ANSI 150 Class (DIN 50)

Discharge 2" ANSI 150 Class (DIN 50)

Air Inlet 1/2" NPT

Air Exhaust 3/4" NPT

Suction Lift (Dry)

Rubber 20' (6.10 m)

PTFE 10' (3.05 m)

Max Solid Size (Diameter)

. 1/4" (6 mm)

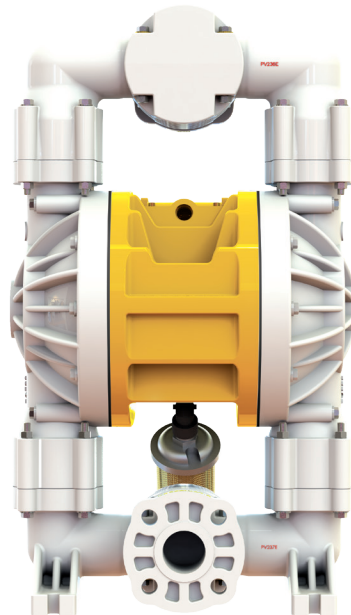
Shipping Weights

Polypropylene 67 lbs (30 kg)

. . . w/ center port option 71 lbs (31.8)

PVDF 93 lbs (42 kg)

. . . w/ center port option 100 lbs (45.1)



VERSAMATIC®

Warren Rupp, Inc. | A Unit of IDEX Corporation
800 North Main Street | Mansfield, OH 44902 USA
Phone: 419.526.7296 | Fax: 419.526.7289

VERSAMATIC.COM

u2nsm-rev0519

©Copyright 2019 Warren Rupp, Inc. All Rights Reserved.

U2 DATA SHEET

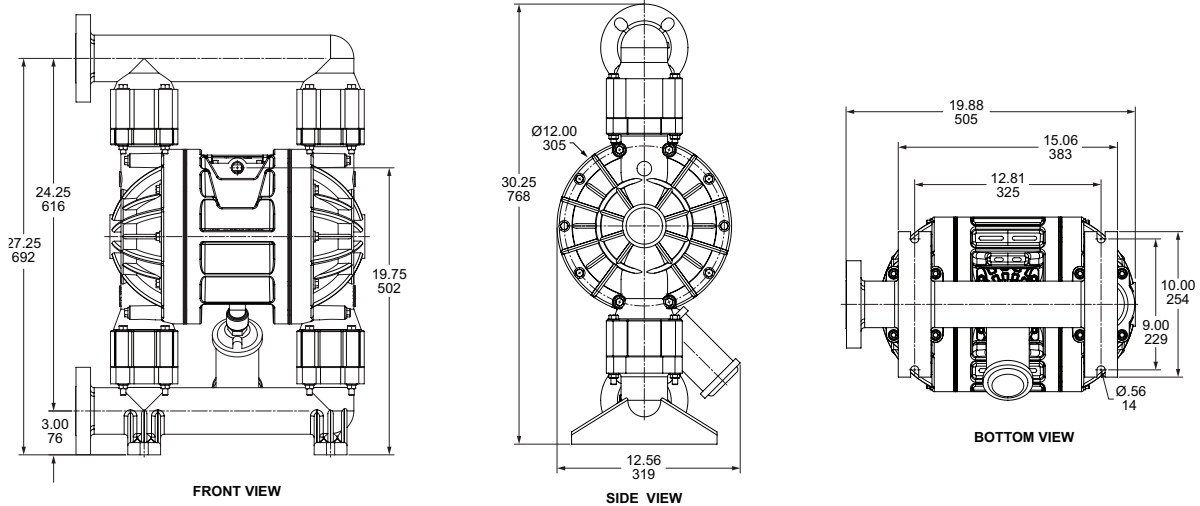
SPECIFICATIONS & PERFORMANCE

2" Bolted Plastic with Plastic Center Sections

U2 Bolted Plastic - End Ported

Dimensions in inches (mm dimensions in brackets)

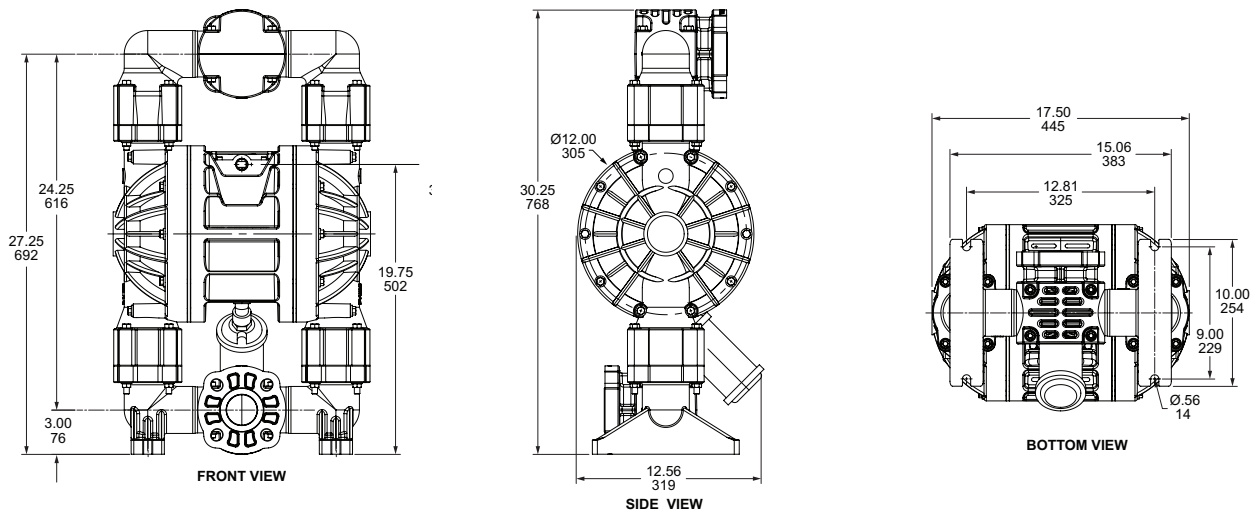
The dimensions on this drawing are for reference only. A certified drawing can be requested if physical dimensions are needed.



U2 Plastic Bolted - Center Ported

Dimensions in inches (mm dimensions in brackets)

The dimensions on this drawing are for reference only. A certified drawing can be requested if physical dimensions are needed.



VERSAMATIC[®]

Warren Rupp, Inc. | A Unit of IDEX Corporation
800 North Main Street | Mansfield, OH 44902 USA
Phone: 419.526.7296 | Fax: 419.526.7289

VERSAMATIC.COM

u2nsm-rev0519

©Copyright 2019 Warren Rupp, Inc. All Rights Reserved.