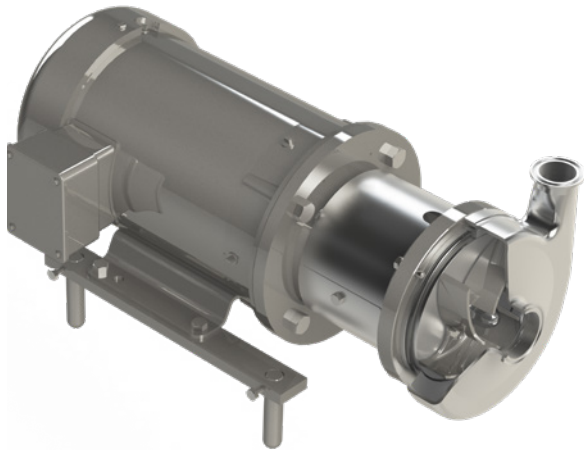


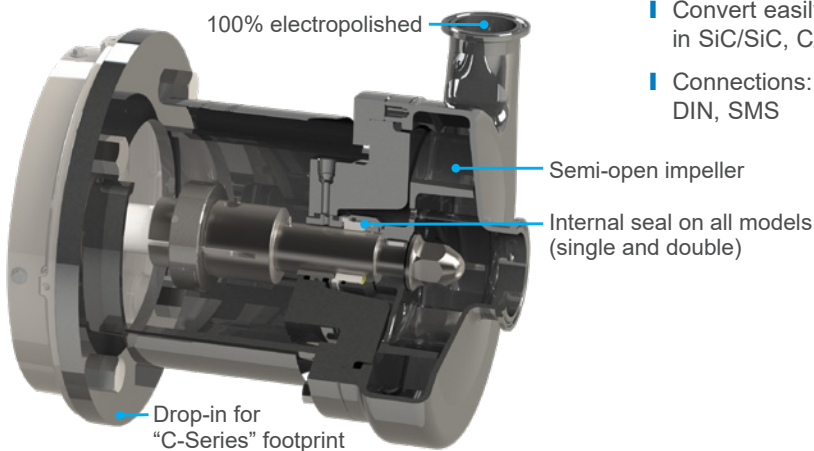


TR-IS SERIES™ BY WRIGHT FLOW TECHNOLOGIES
CENTRIFUGAL PUMP | HYGIENIC PRODUCT LINE



FEATURES & OPTIONS

- 316L stainless steel construction certified for 3A and in compliance with EHEDG standards
- 100% electropolished internals for fastest cleaning and maximum hygiene
- Internal seal is more hygienic and delivers extended service life compared to external seals
- Fully CIP (clean in place) capable, and fully drainable
- Semi-open impeller design delivers improved efficiency ranging from 5-8% in most applications, saving on energy costs
- Matches the same footprint as industry standard “C-Series” pumps, no pipework changes are required for installation
- Convert easily between single and double balanced mechanical seals in SiC/SiC, C/SiC, SiC/SiC/SiC, or C/SiC/SiC
- Connections: Clamp (standard), Flange, NPT, Weldable, Bevel Seat, DIN, SMS



PERFORMANCE

MODELS

Model	“C-Series” Model	Maximum Capacity		Port Size (Inches)		Maximum Impeller Diameter	Maximum Differential Pressure	
		GPM	LPM	Inlet	Outlet		PSI	BAR
TR-IS 114	C114	157	594	1.5"	1.5"	4"	33	2.2
TR-IS 214	C214	190	719	2"	1.5"	4"	33	2.2
TR-IS 216	C216	283	1,071	2"	1.5"	6"	75	5.2
TR-IS 316	C316	283	1,071	2.5"	1.5"	6"	75	5.2
TR-IS 218	C218	335	1,268	2"	1.5"	8"	145	10
TR-IS 318	C318	525	1,987	3"	1.5"	8"	140	9.6
TR-IS 328	C328	762	2,884	3"	2"	8"	142	9.7
TR-IS 428	C428	813	3,077	4"	2"	8"	150	10.2
TR-IS 4410	C4410	1,040	3,936	4"	4"	10"	120	8.3
TR-IS 6410	C6410	930	3,520	6"	6"	10"	106	7.3



CAPACITY
to 1,040 GPM
(3,936 LPM)



PRESSURE
to 150 PSI
(10.2 BAR)



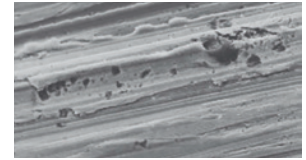
VISCOSITY
to 800 cP



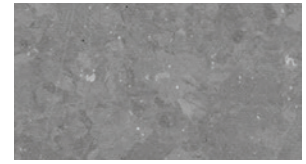
TEMPERATURE
to +250°F
(+120°C)

WHY ELECTROPOLISH?

- Ultra-smooth 16-Ra surface finish is faster and easier to clean and sterilize while minimizing possibility of bacterial deposits.
- Improved corrosion resistance and ease of passivation.
- Surface finish achieved in all areas of wet end, not only on areas accessible by traditional polishing methods



Stainless Steel Surface

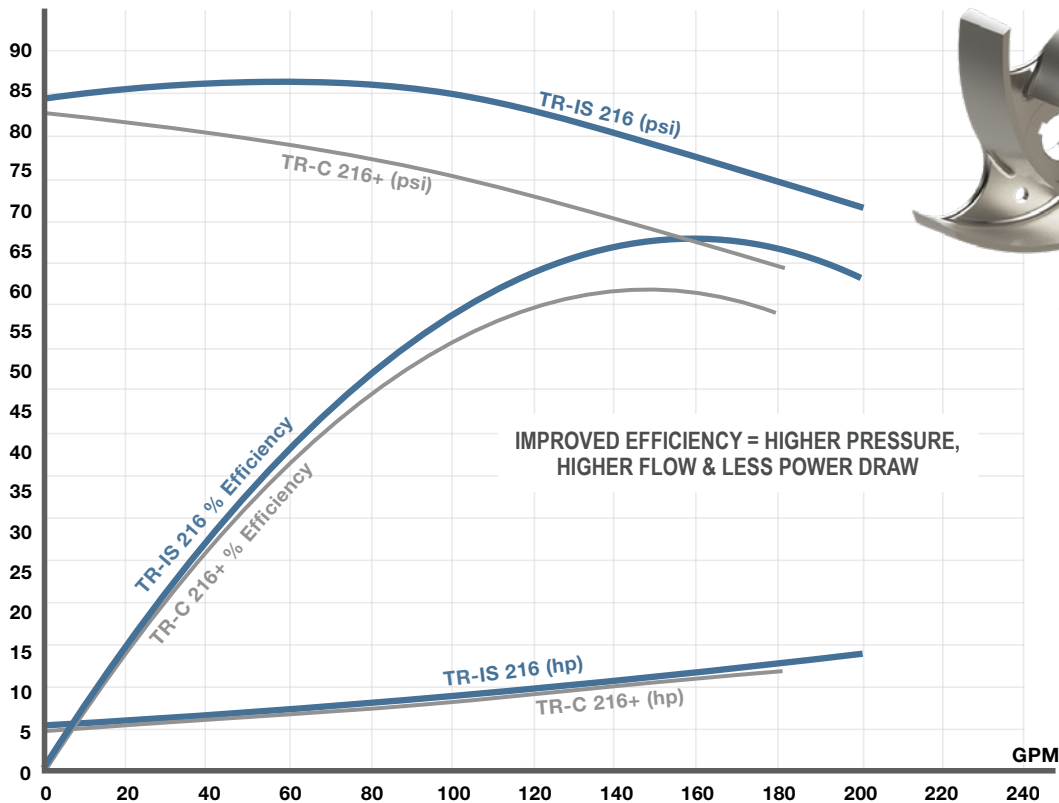


Electropolished Surface

TYPICAL APPLICATIONS

- Pharmaceutical & WFI
- Personal Care
- Alcohols
- Brewing & Distilling
- Soda / Pop
- Juice
- Dairy
- Bottled Water
- Chemicals
- & many others

PERFORMANCE CURVES COMPARISON: TR-IS 216 VS TR-C 216



Note: Motors are available in IEC and NEMA 56C, TC, and TSC.

VIKING PUMP®

VIKING PUMP, INC.
A Unit of IDEX Corporation
406 State Street
Cedar Falls, Iowa 50613 U.S.A.
vikingpump.com

CONTACT YOUR STOCKING DISTRIBUTOR TODAY

GLOBAL LEADER IN POSITIVE DISPLACEMENT PUMPING SOLUTIONS: Cedar Falls, Iowa, USA | Windsor, Ontario, Canada | Shannon, Ireland | Eastbourne, United Kingdom

© Copyright 2020 Viking Pump, Inc. All Rights Reserved. Rev1220 | Form No. 1729