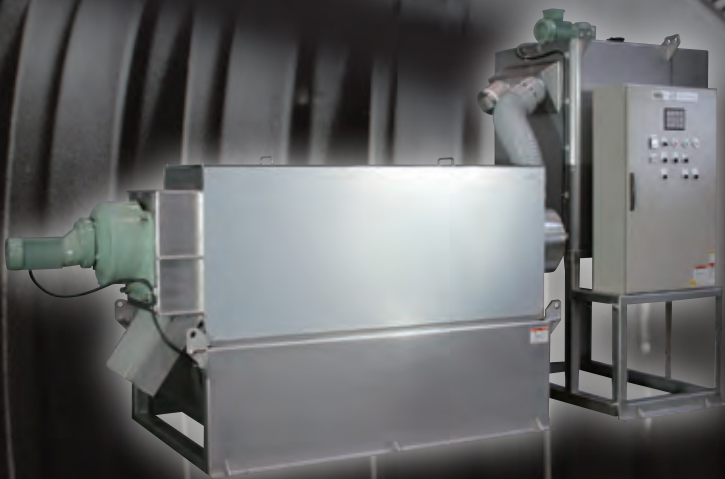


Multi-Disc Dehydrators

MDQ / MDC / JD



Multi-Disc Screw Press Dehydrators



«« MDQ



MDC »»

Multi-disc screw press dehydrators utilize both gravity filtration and screw displacement compression systems. The pitches of the screw blades are gradually narrower toward the cake outlet in order to reduce the volume of cake, so the coagulated sludge that has been concentrated by gravity filtration is dehydrated by compression.

The dehydrator main unit requires lower motor output and the filtration surface consists of a multiplicity of self-cleaning capable discs, and seldom clogs. Thus, the dehydrator can be used continuously. The main unit of the dehydrator is of multi-shaft design.

Therefore, when two or more main units are configured into one machine, any individual shaft can be repaired or serviced without interrupting dehydration operations.

Multi-disc screw press dehydrators can cope with a wide range of sludge concentrations, and also stably dehydrate sludge that contains high oil content.

Tsurumi's dehydrators feature unitized construction that integrates all necessary accessories, and can be more easily installed and are very compact compared with belt presses and centrifugal dehydrators. The dehydrators boast lower noise, reduced energy consumption, and require less water for flushing, thus providing an economical and eco-friendly solution to dehydration applications.

Multi-Disc Dehydrators JD



Multi-disc dehydrators utilize both gravity filtration and compression dehydration systems.

The "filtering rollers" consist of alternating thin metal discs and resin discs, and are arranged in two (upper and lower) tiers. The coagulated sludge is fed between the rollers and dehydrated by compression while being conveyed toward the sludge outlet by the rotating action of the rollers.

The dehydrator main unit requires lower motor output and the filtration surface consists of a multiplicity of self-cleaning capable discs, and never clogs. Thus, the dehydrator can be used continuously.

Multi-disc dehydrators can cope with a wide range of sludge concentrations, and also stably dehydrate sludge that contains high oil content or organic sludge that contains high quantities of inorganic substances.

Tsurumi's technology is constructively at work in a diversity of sites and applications.

Applications

- Excess sludge from biological processes
- DAF froth
- Various types of mixed sludge
- Coagulated sludge



Excess Sludge at Industrial Plant (MDQ-202)



Mixed Sludge at Dairy Product Plant (MDQ-203)



Excess Sludge at Wastewater Treatment Plant (MDQ-205 x 2)



Mixed Sludge at Industrial Waste Treatment Facility (JD-500)



Mixed Sludge at Confectionary Plant (JD-500)



Excess Sludge at Noodle Production Plant (JD-1000)

Criteria for Selecting a Model

■ Sludge Concentration

Less than 2%

Multi-Disc Screw Press Dehydrators **MDQ / MDC**

2% or higher

Multi-Disc Dehydrators **JD**

■ Inorganic Content

Less than 40%

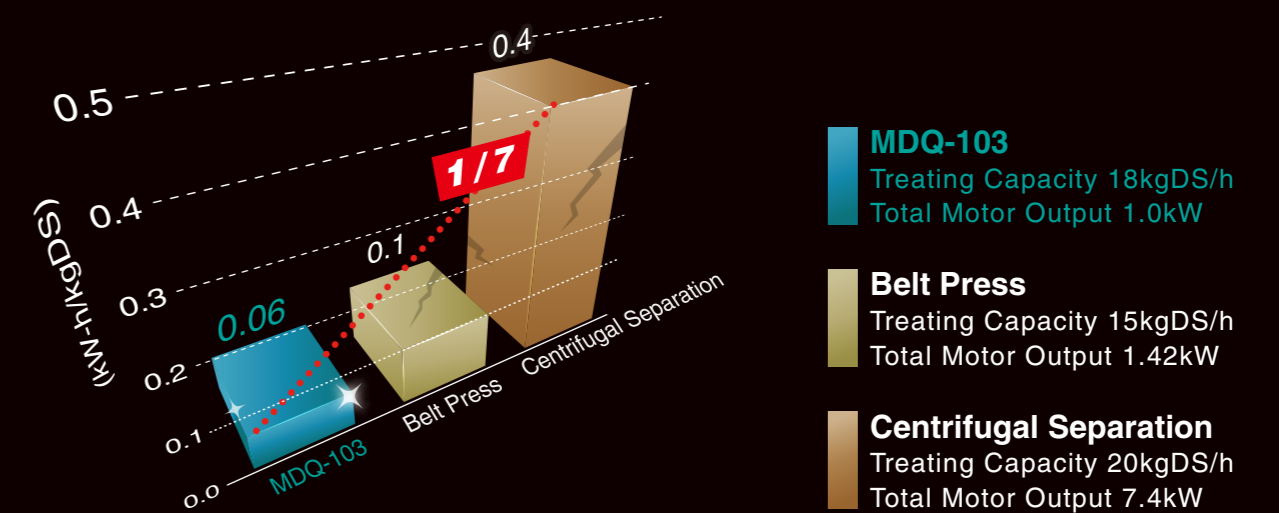
Multi-Disc Screw Press Dehydrators **MDQ / MDC**

Less than 60%

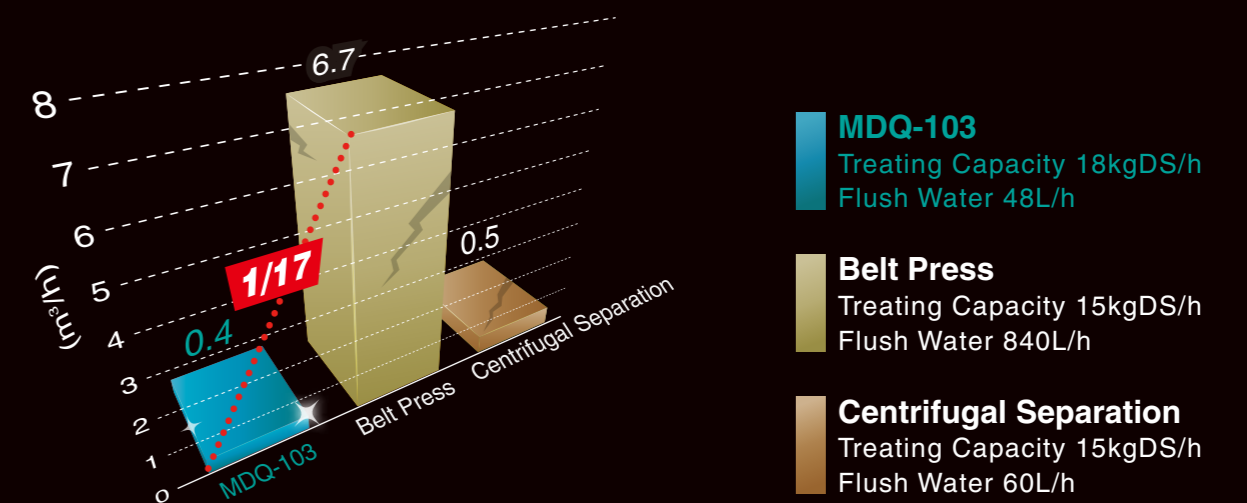
Multi-Disc Dehydrators **JD**

Comparison in Terms of Energy Consumption/Amount of Flush Water

■ Comparison in Terms of Energy Consumption (1kgDS/h)



■ Comparison in Terms of Amount of Flush Water (8-hour operation)



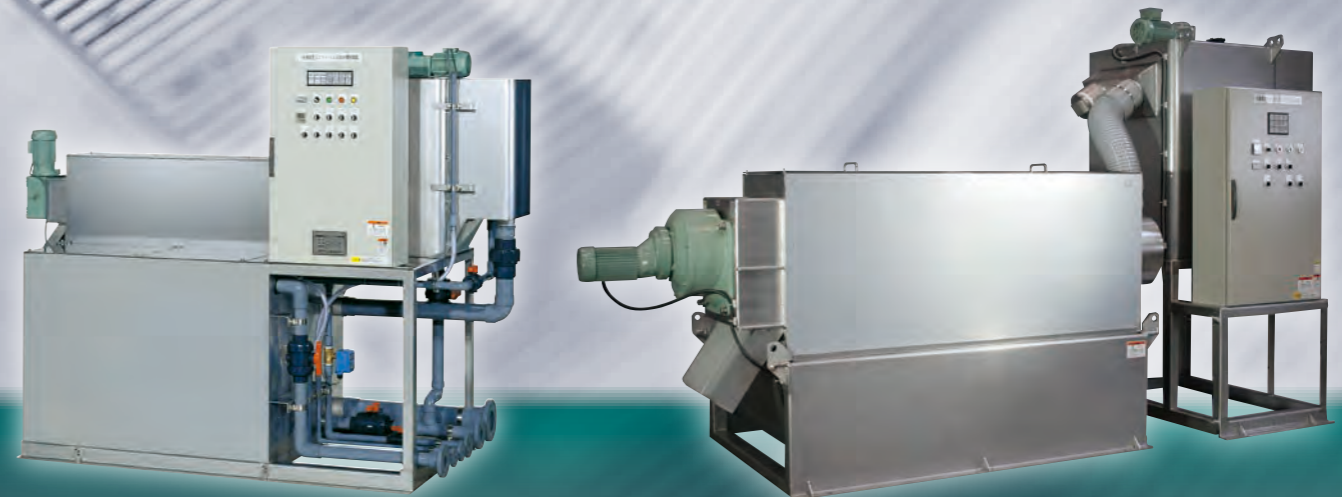
MDQ MDC

Multi-Disc
Screw Press Dehydrators



MDQ/MDC-series Promotional Movie

Wide product lineup with treating capacity
in a range of 3 to 216 kgDS/h



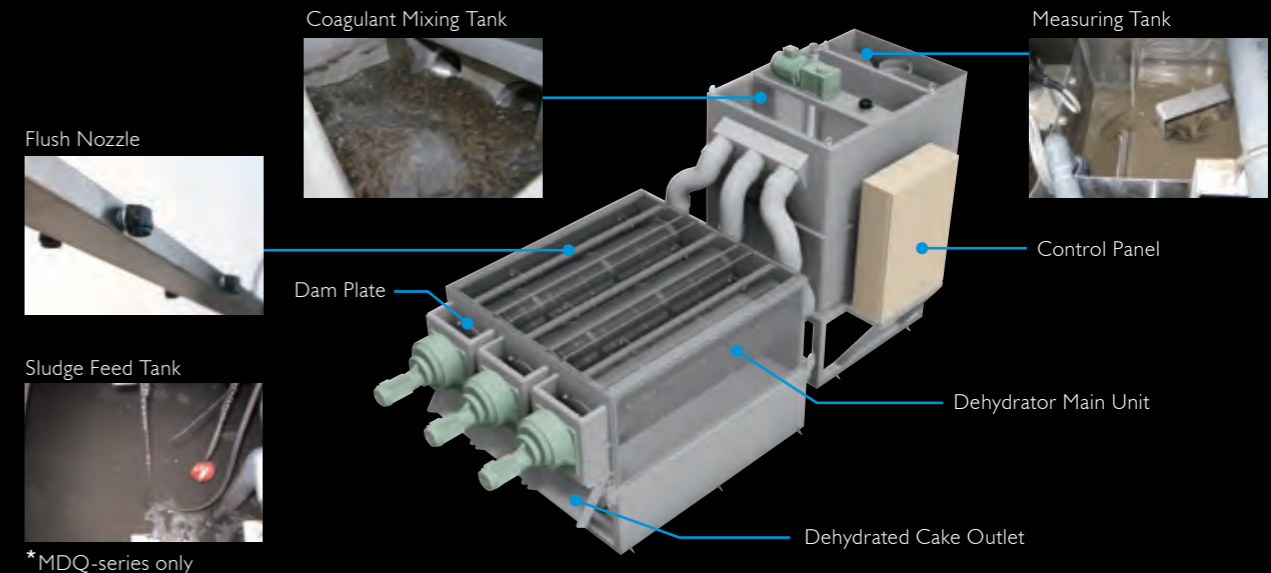
MDQ

MDC

Features

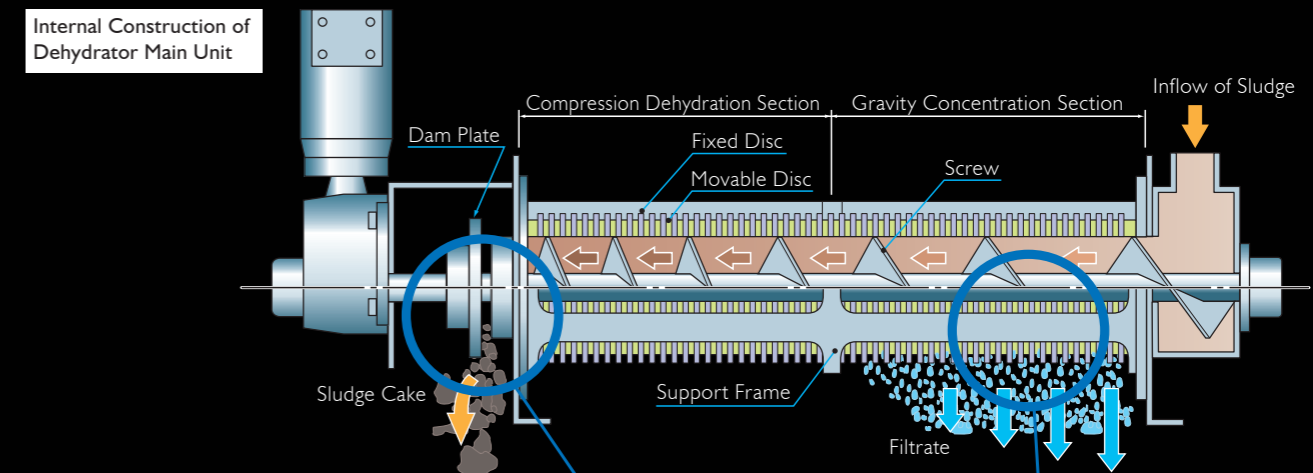
- 01 Wide Product Lineup**
 Tsurumi's multi-disc screw press dehydrators are available in wide lineup, with treating capacity in a range of 3 to 216 kgDS/h, and with five shafts at maximum. Users can select the best equipment from 13 models according to the size of targeted treatment plant.
- 02 Energy-saving & Compact Design**
 The MDQ/MDC series features energy-saving construction designed to dehydrate sludge by "gravity filtration + screw volume reduction." The equipment is of compact unitized construction with all of the necessary accessories and control panel mounted on a common base*, and therefore can be readily installed in very limited floor space. * Not applicable to the MDC-series.
- 03 Automatic Operation**
 Operators can begin automatic operations of the dehydrator and related accessories by simply and easily operating the included control panel.
- 04 Self-cleaning Mechanism**
 The filtration surface consists of a multiplicity of discs and a self-cleaning mechanism, therefore it seldom clogs and the equipment can run continuously.
- 05 Capable of Treating Oily Sludge**
 The equipment can stably dehydrate even sludge that contains high oil content. The dehydrator is an optimum solution for treating oily sludge such as DAF froth at food processing plants, which filter cloth systems and centrifugal separation processes cannot readily handle. Thus, the equipment boasts a higher solid capture rate.
- 06 Capable of Treating Low Concentration Sludge**
 The dehydrator has both a gravity concentration section and compression dehydration section, and therefore can cope with a wide sludge concentration range of 0.5 to 2.0%.
- 07 Small Amount of Flush Water and Low Maintenance**
 Because the equipment is constructed to avoid clogging, flushing is not needed in order to restore the original filtration performance. Only showering with a minor amount of water is necessary to wash away sludge that oozes from the dehydration section. Thus, the amount of flush water needed is minimal, and routine maintenance work is not needed.
- 08 Inhibition of Secondary Pollution**
 The dehydrator main unit features a semi-enclosed construction, and runs at an extremely low speed, therefore sludge does not splatter from the equipment. The dehydrator is of eco-friendly design that generates low noise and vibrations, and emits virtually no odors.
- 09 Multi-shaft Construction**
 When two or more dehydrator main units are configured into one machine, any individual shaft can be repaired or serviced without interrupting dehydration operations.

Structure



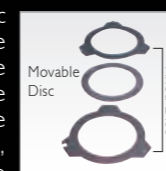
Mechanical Principle

The main unit of the multi-disc screw press dehydrator contains a multi-disc mechanism where ring-shaped "fixed discs" and "movable discs" are alternately arranged at a regular clearance around a "screw shaft." The main unit consists of a "support frame" that supports the multi-disc structure and a "dam plate" at the end of the screw shaft.



Movable Disc Bore Surface Sliding Contact System

The bore of the movable disc remains in contact with the outer circumference of the revolving screw blades while sliding, therefore the passage area is constantly cleaned, allowing the dehydrator to stably treat sludge without clogging.



Dehydration Process

The sludge transported by the screw is gradually compressed as the screw pitch narrows in the direction of travel, and is further compressed by the dam plate at the end of the shaft and delivered out of the dehydrator.



Concentration Process

Most water content in the flocculated sludge flowing into the dehydrator main unit flows through the clearances (gaps between the fixed discs and movable discs) in the multi-disc structure and is then delivered outside the dehydrator by gravity filtration.

MDQ Flow Sheet



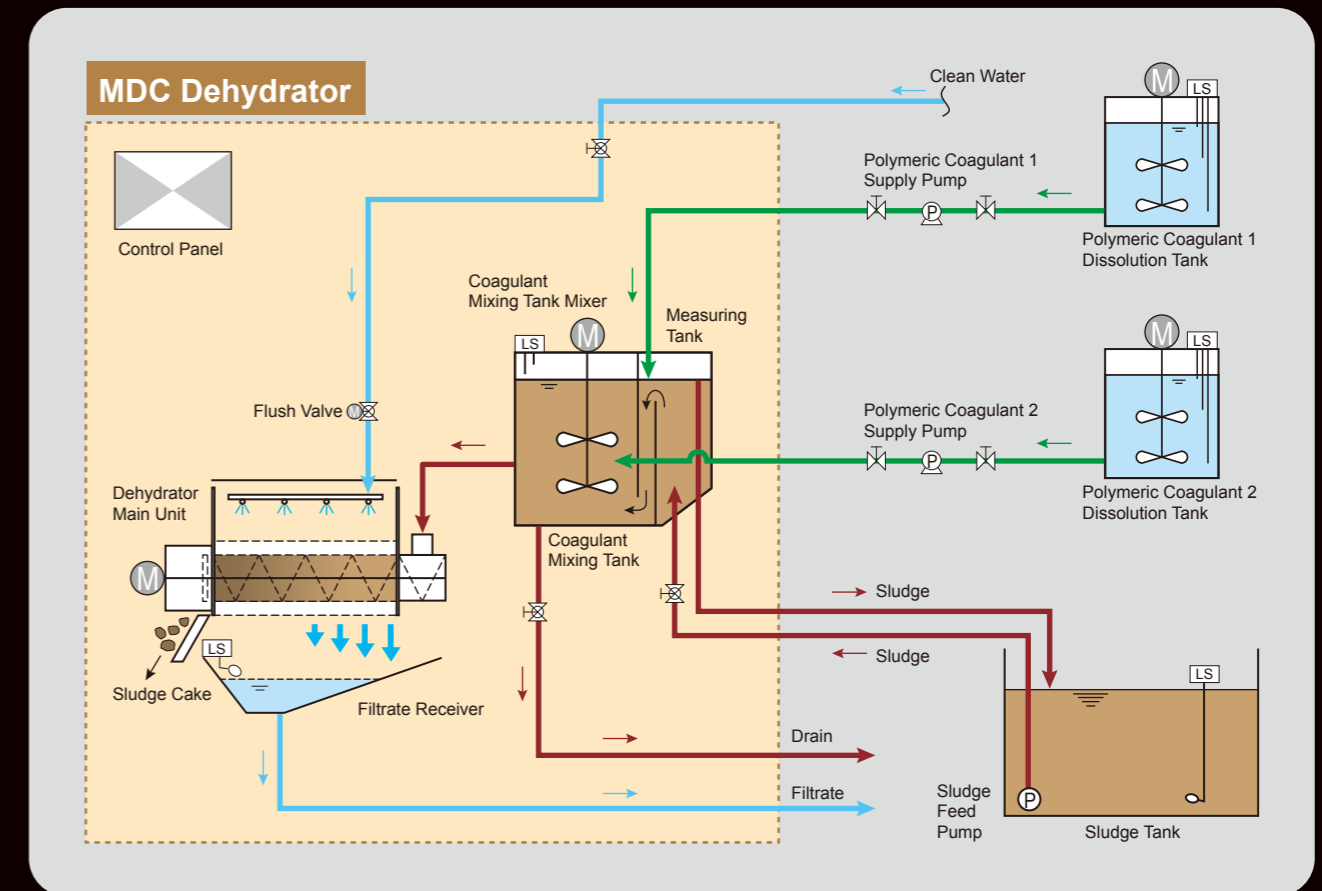
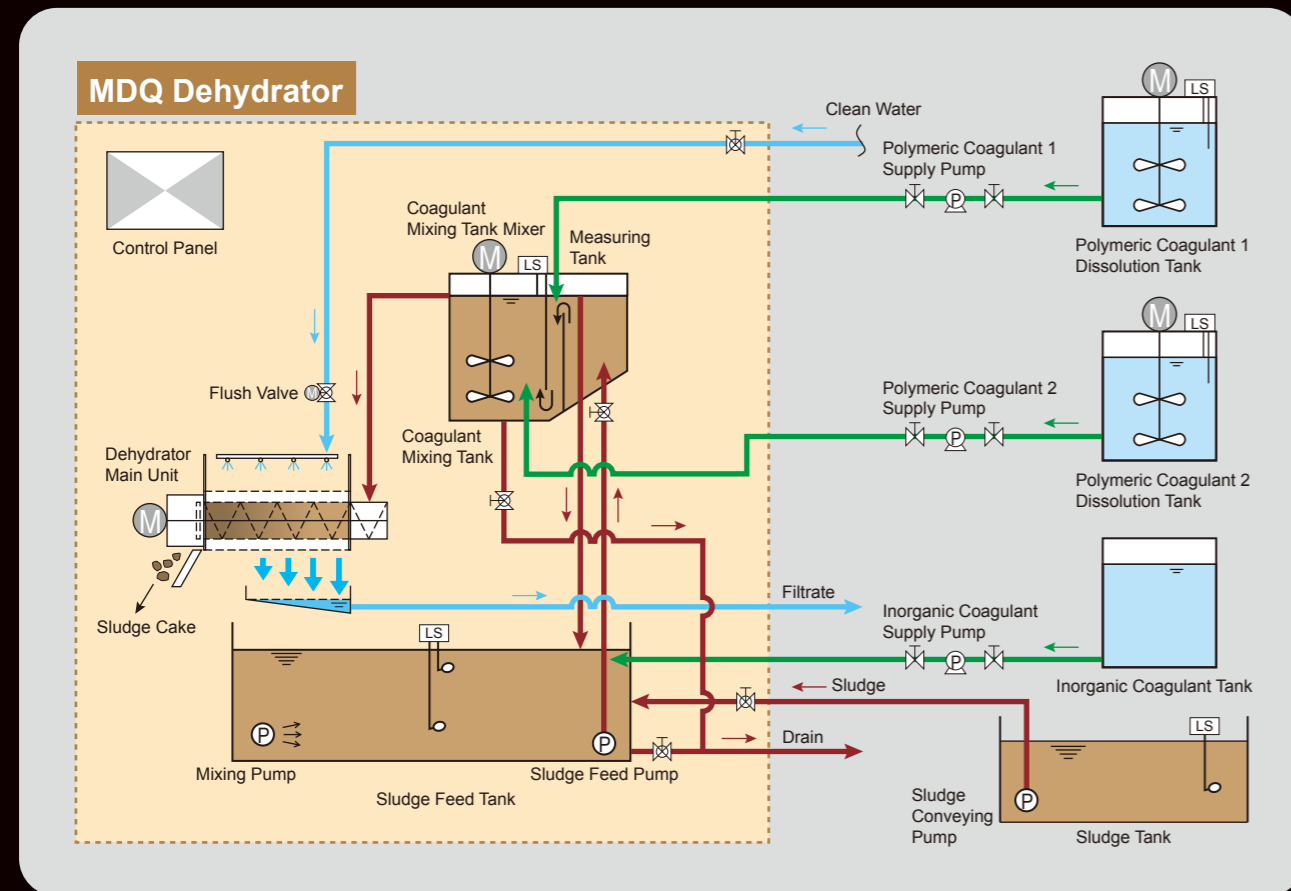
The sludge is conveyed to the sludge feed tank in the MDQ dehydrator by a sludge conveying pump (not included) in the sludge tank. The sludge in the sludge feed tank is homogenized to a uniform consistency by a mixing pump, and then fed into the measuring tank by the sludge feed pump. A predetermined amount of sludge is measured in the measuring tank and naturally flows into the coagulant mixing tank; the excess feed is naturally returned to the sludge feed tank. In the coagulant mixing tank, liquid polymeric coagulant is added to the sludge; flocking then occurs owing to the mixing action. After flock generation, the sludge overflows the coagulant mixing tank and naturally flows into the dehydrator main unit, where the filtrate is separated and the resultant dehydrated cake is delivered out of the dehydrator.

The coagulant to be used can be selected from several combinations of an inorganic coagulant and two polymeric coagulants ([1] polymeric coagulant 1, [2] inorganic + polymeric coagulant 1, and [3] polymeric coagulant 2) to treat sludge of various characteristics. The inorganic coagulant is injected into the sludge feed tank, polymeric coagulant 1 into the outlet side of measuring tank and polymeric coagulant 2 into the mixing tank.

MDC Flow Sheet



The sludge is fed into the measuring tank in the MDC dehydrator by a sludge feed pump (not included) in the sludge tank. A predetermined amount of sludge is measured in the measuring tank and naturally flows into the coagulant mixing tank; the excess feed is naturally returned to the sludge tank. In the coagulant mixing tank, liquid polymeric coagulant is added to the sludge; flocking then occurs owing to the mixing action. After flock generation, the sludge overflows the coagulant mixing tank and naturally flows into the dehydrator main unit, where the filtrate is separated and the resultant dehydrated cake is delivered out of the dehydrator. The coagulant to be used can be selected from combinations of two polymeric coagulants ([1] polymeric coagulant 1 and [2] polymeric coagulant 2) to treat sludge of various characteristics. Polymeric coagulant 1 is injected into the outlet side of measuring tank and polymeric coagulant 2 into the mixing tank.

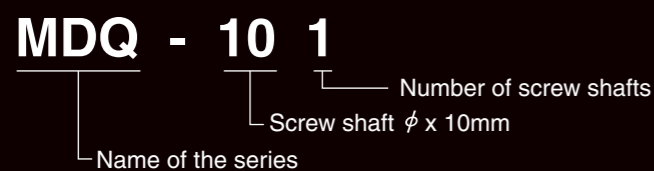


Specifications

Model	Treating Capacity kgDS/h	Total Motor Output kW	Dimensions mm				Weight kg	
			Screw Shaft	Length	Width	Height	Dry	Operating
MDQ-101	3 - 6	0.6	φ 100 x 1	1800	900	1800	400	1000
MDQ-102	6 - 12	0.7	φ 100 x 2	1800	900	1800	500	1150
MDQ-103	9 - 18	1.0	φ 100 x 3	1850	1100	1800	700	1550
MDQ-104	12 - 24	1.25	φ 100 x 4	2100	1500	2050	900	1950
MDQ-105	15 - 30	1.35	φ 100 x 5	2100	1500	2050	1000	2100
MDQ-201	9 - 18	1.05	φ 200 x 1	2650	1200	2050	700	1600
MDQ-202	18 - 36	1.25	φ 200 x 2	2650	1200	2050	900	1900
MDQ-203	27 - 54	1.8	φ 200 x 3	2650	1500	2050	1200	2550
MDQ-204	36 - 72	2.35	φ 200 x 4	2800	2100	2050	1600	3550
MDQ-205	45 - 90	2.9	φ 200 x 5	2800	2100	2050	1800	3850
MDC-351	36 - 72	0.95	φ 350 x 1	3770	1140	2005	1300	1830
MDC-352	72 - 144	1.85	φ 350 x 2	3930	1460	2030	2300	3310
MDC-353	108 - 216	3.15	φ 350 x 3	4220	1810	2200	3300	4840

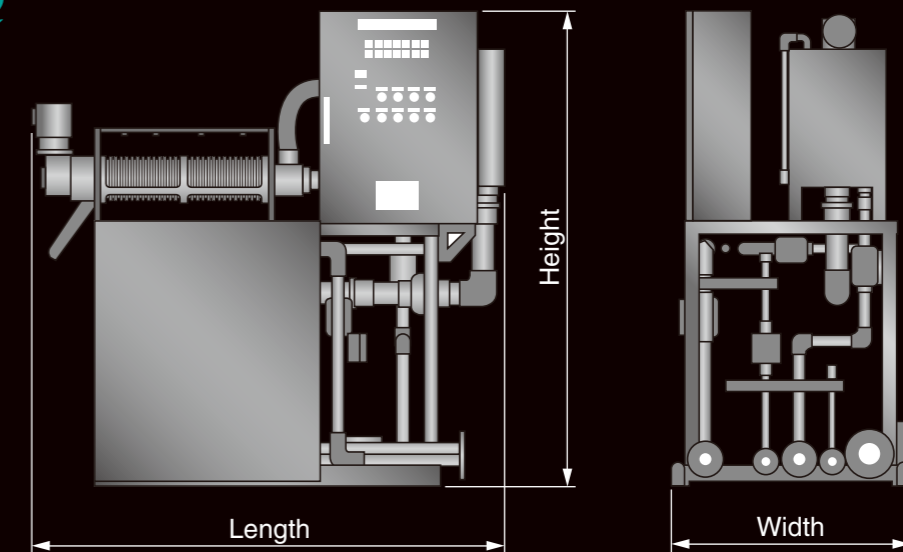
- The treating capacity will vary depending on the characteristics and concentration of sludge.
- Applicable sludge must be organic and have an ignition loss (VTS = Volatile Total Solids) of more than 60% and a concentration (TS) of 0.5 to 2.0%.
- The motor output means the total motor output of the MDQ/MDC dehydrator that includes the dehydrator main unit, but does not cover motor output of the sludge conveying/feed pump, chemical feed equipment, etc.
- The sludge conveying/feed pump, chemical feed equipment, chemical feed pump, etc. outside the MDQ/MDC dehydrator are not included.

Model Number Designation

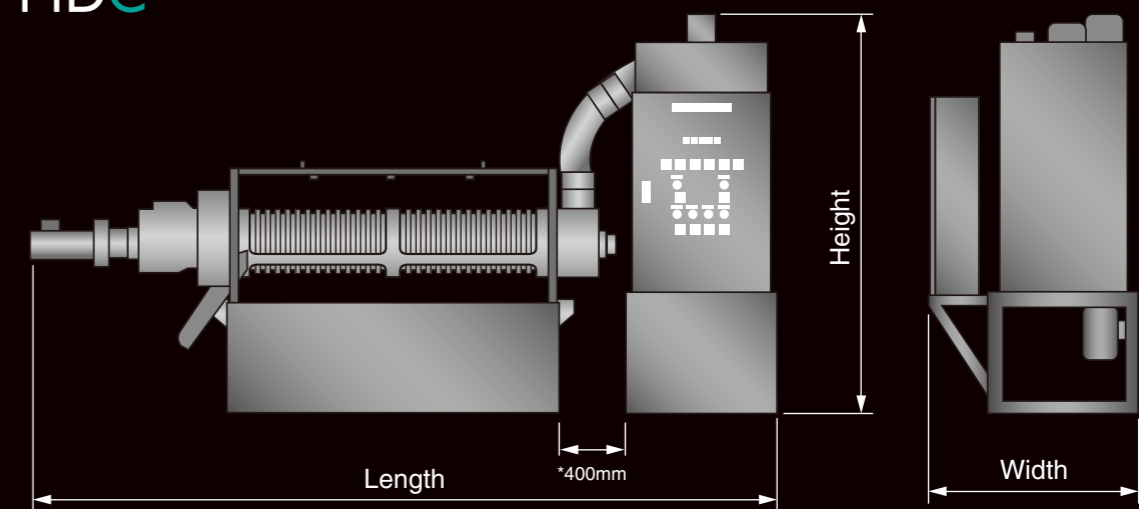


Dimensions

MDQ



MDC



* On MDC-series, the screw is independent of the coagulant mixing tank. To fully develop the performance of dehydrator, install the dehydrator main unit and the coagulant mixing tank unit on common ground. (Distance 400mm)

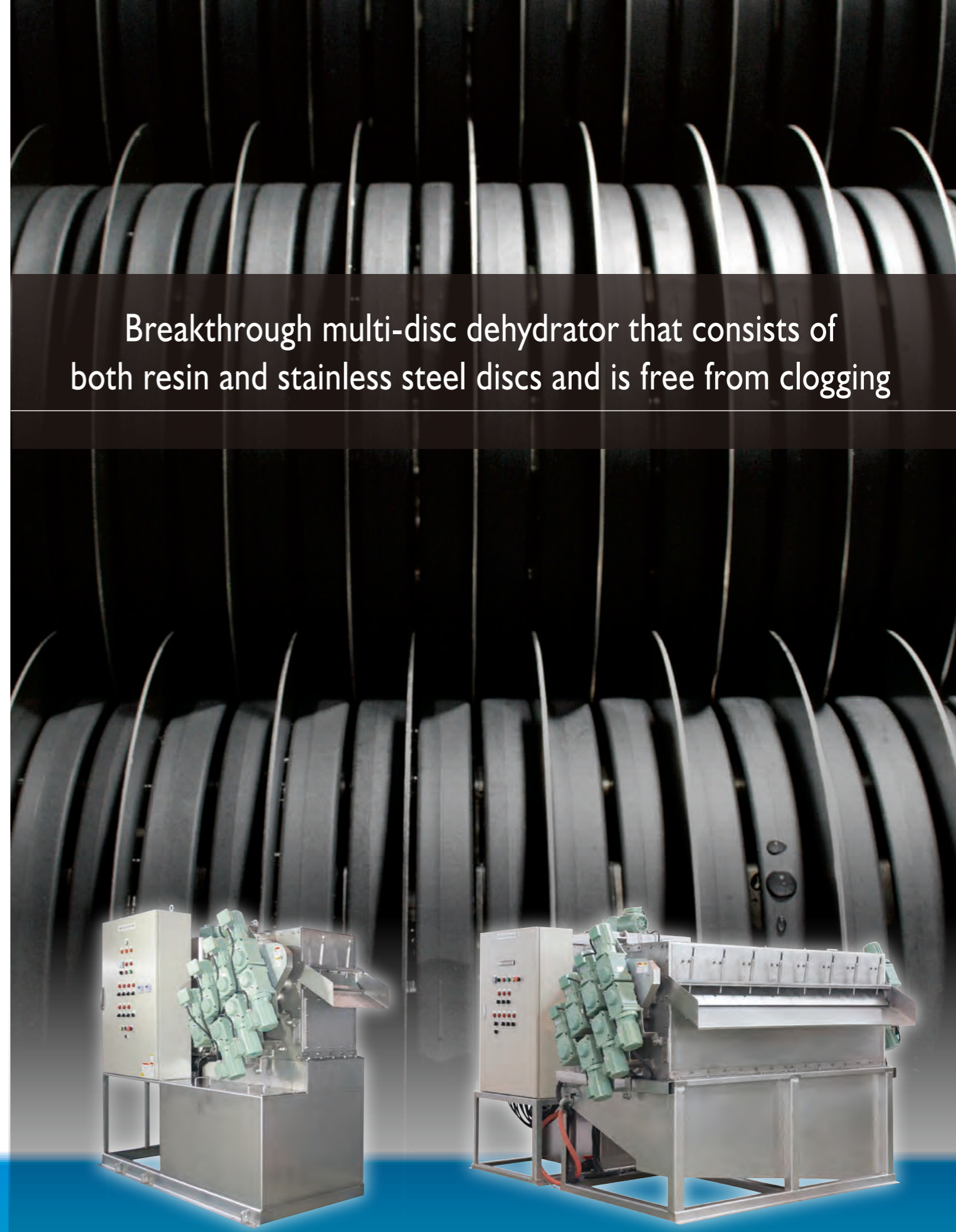
Breakthrough multi-disc dehydrator that consists of both resin and stainless steel discs and is free from clogging



Multi-Disc Dehydrators



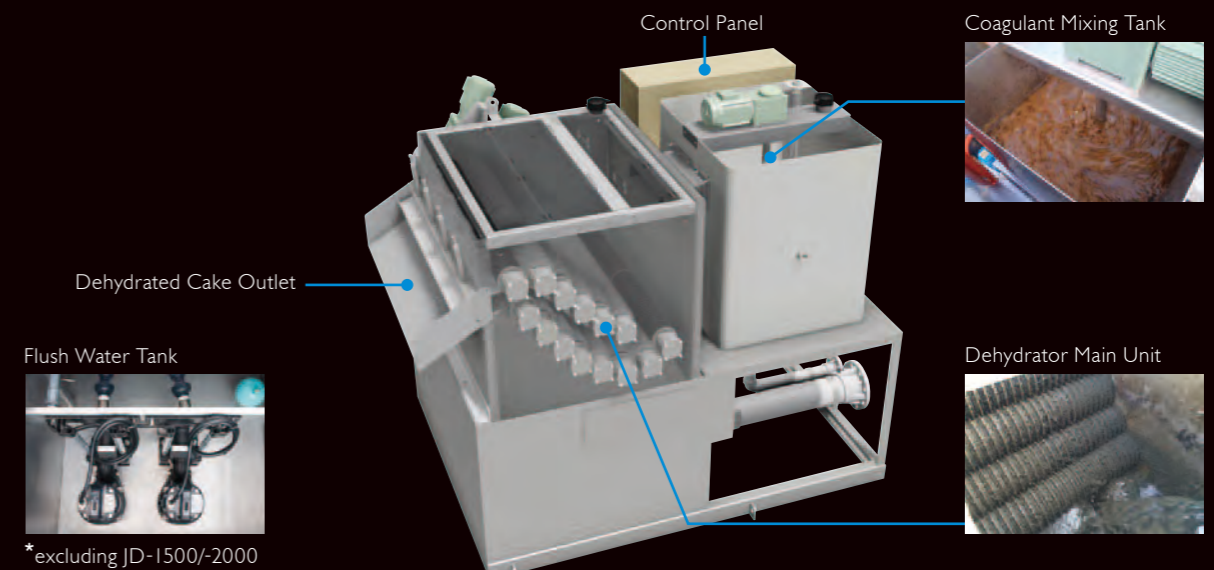
JD-series Promotional Movie



Features

- 01 Energy-saving & Compact Design**
The JD-series features energy-saving construction designed to dehydrate sludge by "gravity filtration + compression." The equipment is of compact unitized construction with a flush water tank and control panel mounted on a common base*, and therefore can be readily installed in very limited floor space.
*Not applicable to JD-1500/-2000.
- 02 Automatic Operation**
Operators can begin automatic operations of the dehydrator and related accessories by simply and easily operating the included control panel.
- 03 Self-cleaning Mechanism**
The filtration surface consists of a multiplicity of discs and a self-cleaning mechanism, therefore it never clogs and the equipment can run continuously.
- 04 Capable of Treating Oily Sludge**
The equipment can stably dehydrate even sludge that contains high oil content. The dehydrator is an optimum solution for treating oily sludge such as DAF froth at food processing plants, which filter cloth systems and centrifugal separation processes cannot readily handle. Thus, the equipment boasts a higher solid capture rate.
- 05 Capable of Treating Low to High Concentration Sludge**
The dehydrator can handle sludge of various concentrations in a range as great as 0.5 to 5.0%.
- 06 Small Amount of Flush Water and Low Maintenance**
Because the "filtering rollers" are constructed so as to never clog, flushing is not needed in order to restore the original filtration performance. Only flushing of sludge that oozes from the filtering rollers is necessary. The amount of flush water needed is minimal, and routine maintenance work is not needed.
- 07 Inhibition of Secondary Pollution**
The dehydrator main unit features a semi-enclosed construction, and runs at an extremely low speed, therefore sludge does not splatter from the equipment. The dehydrator is of eco-friendly design that generates low noise and vibrations, and emits virtually no odors.

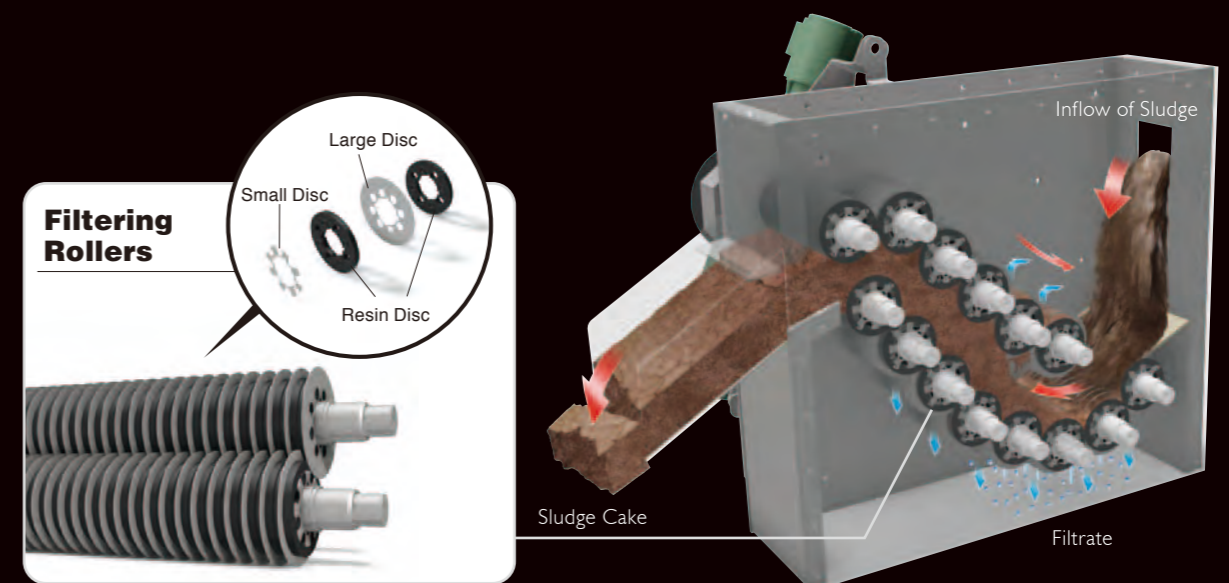
Structure



Mechanical Principle

The main unit of the multi-disc dehydrator contains multiple rows of "filtering rollers" arranged in two (upper and lower) tiers. Each filtering roller consists of a multiplicity of thick resin discs, small thin stainless steel discs and large thin stainless steel discs. A slit is formed between neighboring discs so that only water drains out. The larger discs of the filtering roller engage with the neighboring filtering roller, causing the slits to be constantly cleaned. Thus, the dehydrator exhibits stable sludge treatment capacity. **[Patented]**

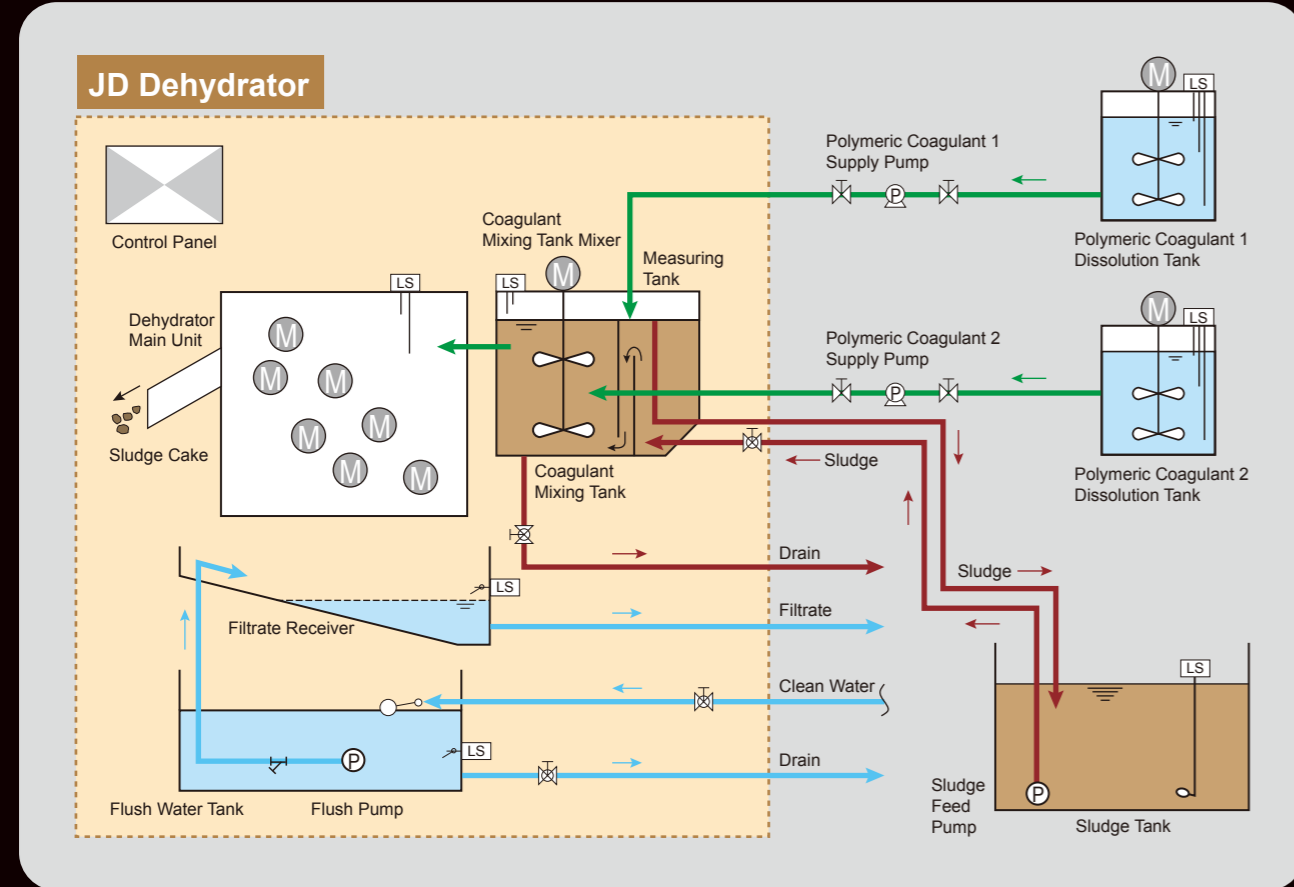
The gaps between the upper and lower tiers of the filtering rollers narrow from the sludge infed inlet to the dehydrated cake outlet; therefore the volume of sludge is moderately compressed. In short, the coagulated sludge fed into the dehydrator main unit is conveyed toward the outlet side as the filtering rollers rotate, during which the sludge is compressed and water drains through the slits, so the sludge is efficiently dehydrated.



JD Flow Sheet



The sludge is fed into the measuring tank in the JD dehydrator by a sludge feed pump (not included) in the sludge tank. A predetermined amount of sludge is measured in the measuring tank and naturally flows into the coagulant mixing tank; the excess feed is naturally returned to the sludge tank. In the coagulant mixing tank, liquid polymeric coagulant is added to the sludge; flocking then occurs owing to the mixing action. After flock generation, the sludge overflows the coagulant mixing tank and naturally flows into the dehydrator main unit, where the filtrate is separated and the resultant dehydrated cake is delivered out of the dehydrator. The coagulant to be used can be selected from combinations of two polymeric coagulants ([1] polymeric coagulant 1 and [2] polymeric coagulant 2) to treat sludge of various characteristics. Polymeric coagulant 1 is injected into the outlet side of measuring tank and polymeric coagulant 2 into the mixing tank.



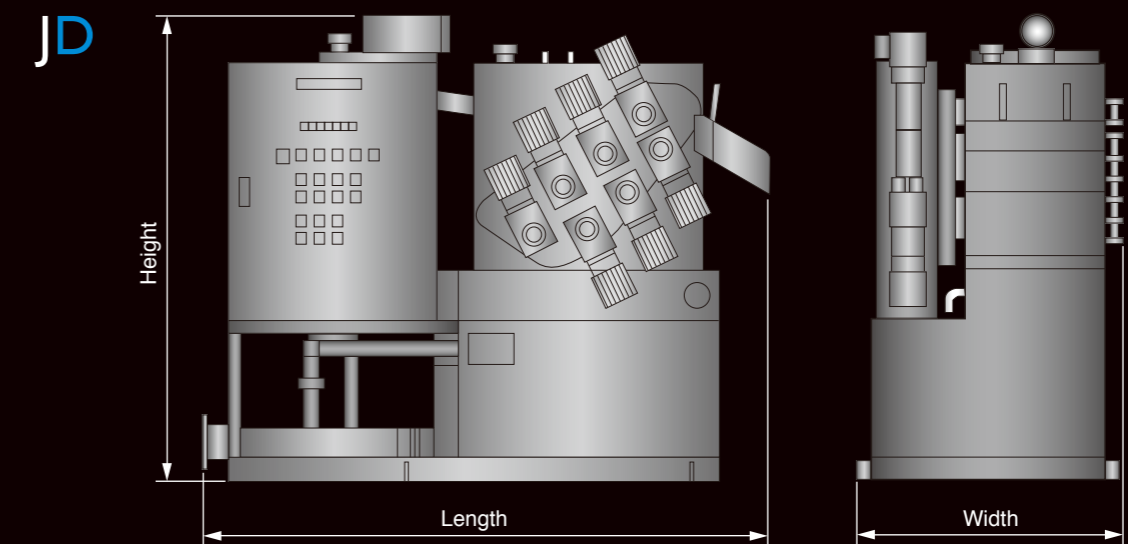
Flush water tank and flush pump is not included for JD-1500/-2000.

Specifications

Model	Treating Capacity kgDS/h	Total Motor Output kW	Dimensions mm				Weight kg	
			Width of Filtering Rollers	Length	Width	Height	Dry	Operating
JD-500	12 - 40	1.65	500	2207	1035	1827	1100	1600
JD-750	18 - 60	1.85	750	2362	1285	1829	1300	1970
JD-1000	24 - 80	2.6	1000	2341	1535	1829	1500	2370
JD-1500	36 - 120	1.4	1500	2600	2180	2045	1640	2320
JD-2000	48 - 160	1.75	2000	2800	2680	2045	1890	3140

- The treating capacity will vary depending on the characteristics and concentration of the sludge. Typical treating capacity per 1000mm wide filtering roller are 40 kgDS/h for excess sludge, 50 kgDS/h for wastewater and sewage treatment sludge, and 60 kgDS/h for DAF froth and livestock waste sludge. It is recommended to select a model with adequate allowance.
- The motor output means the total motor output of the motors mounted in the unit, but does not cover the motor output of the sludge supply pump, polymeric coagulant mixing equipment, etc.
- The sludge feed pump, chemical injection equipment, chemical injection pump, etc. outside the JD dehydrator are not included.

Dimensions



* On JD-1500/-2000, the dehydrator main unit is independent of the coagulant mixing tank. To fully develop the performance of dehydrator, install the dehydrator main unit and the coagulant mixing tank unit on common ground. (Distance 460mm)



We reserve the right to change the specifications and designs for improvement without prior notice.

**TSURUMI
MANUFACTURING CO., LTD.**

Your Dealer